

**SAN BENITO COUNTY**  
 PLANS FOR SAN BENITO COUNTY MEASURE G ROAD MAINTENANCE PROJECTS, FY 19-20  
 ON

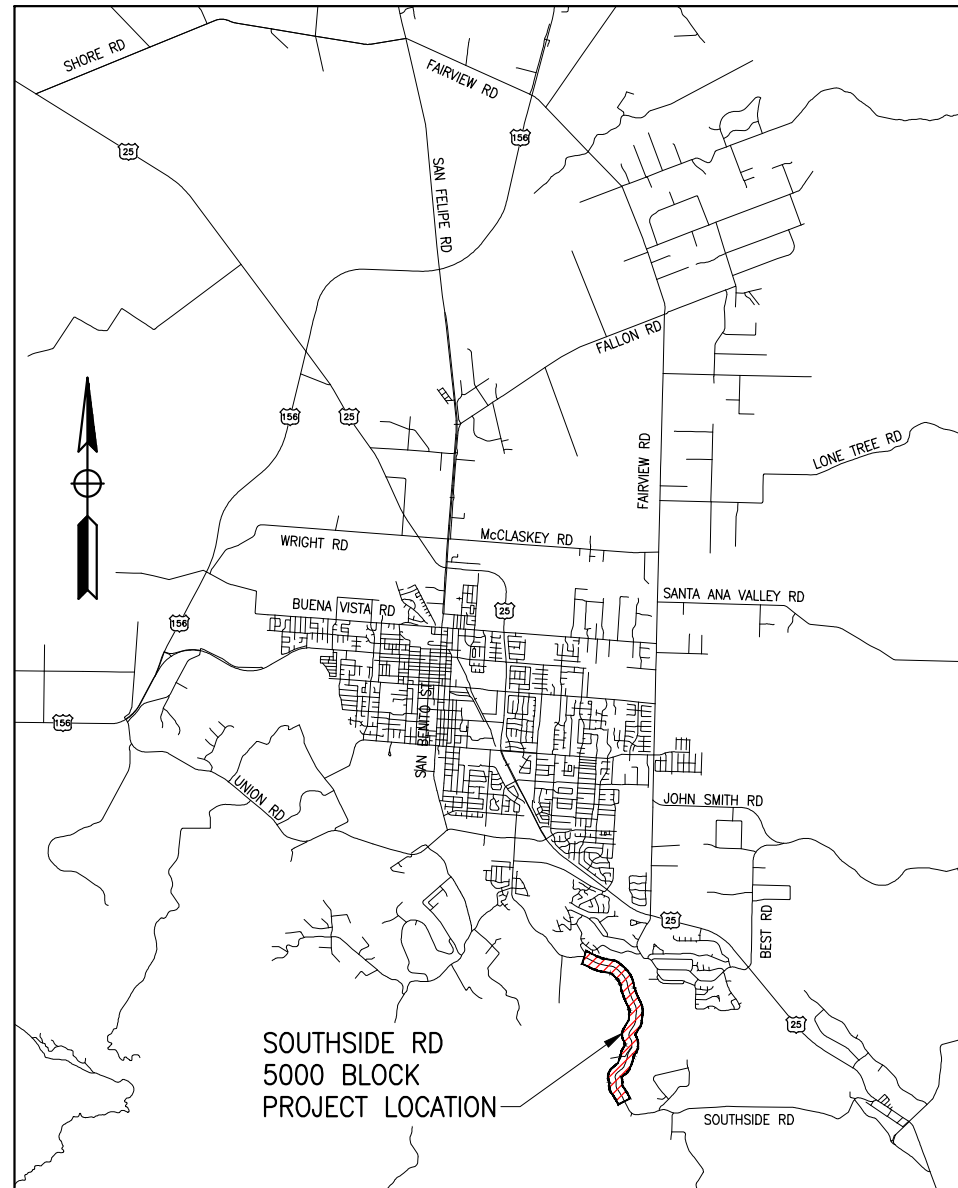
**SOUTHSIDE ROAD 5000 BLOCK**

HOLLISTER, CALIFORNIA

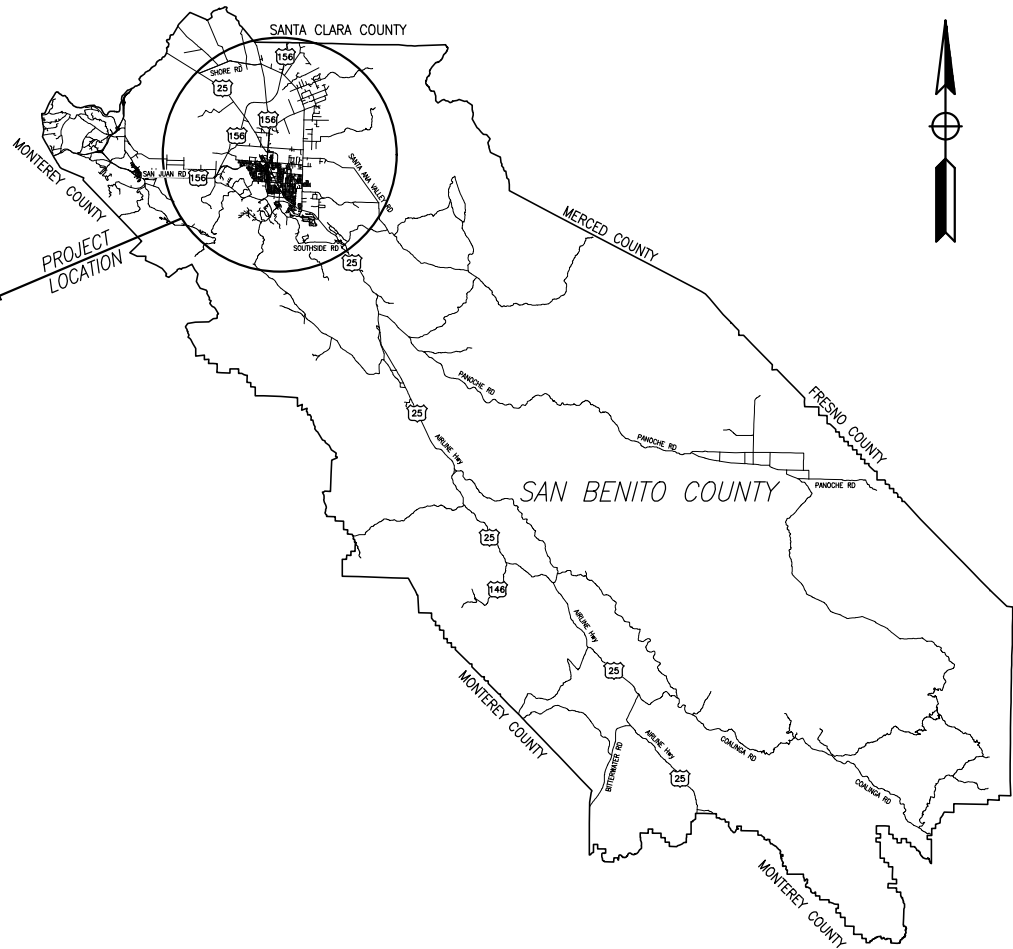
PWB-2013

INDEX OF SHEETS

SHEET NUMBER	SHEET TITLE	SHEET
1	TITLE	T-1
2-4	TYPICAL SECTIONS	X-1 THRU X-3
5-8	LAYOUT	L-1 THRU L-4
9	CONSTRUCTION DETAILS	C-1
10	DRAINAGE PLAN	EC-1
11	DRAINAGE PROFILE	D-1
12	DRAINAGE DETAILS	DP-1
13	CONSTRUCTION AREA SIGNS	CS-1
14-17	TRAFFIC HANDLING PLAN	TH-1 THRU TH-4
18	DETOUR PLAN	DE-1
19-25	STRUCTURE PLANS	S-1 THRU S-7



LOCATION MAP  
NO SCALE



VICINITY MAP  
NO SCALE



STATE OF CALIFORNIA

SAN BENITO COUNTY

*[Signature]* 6/10/20  
 HARRY MAVROGENES  
 RMA DIRECTOR

*[Signature]* 6/10/20  
 ROGER GRIMSLEY, PE  
 RCE 23003  
 COUNTY ENGINEER  
 COUNTY OF SAN BENITO  
 RESOURCE MANAGEMENT AGENCY  
 PUBLIC WORKS DEPARTMENT

*[Signature]*  
 JUSTINA CONKLIN, PE  
 RMPE 53183  
 CONTRACT CIVIL ENGINEER  
 TRC

NOTE:  
 THE CONTRACTOR MUST VERIFY ALL CONTROLLING  
 FIELD DIMENSIONS BEFORE ORDERING OR  
 FABRICATING ANY MATERIAL.

Submitted by: J. CONKLIN Design Engineer C.E. No. 53183	NO.	DATE	REVISION DESCRIPTION	APPROVED
DESIGN BY: A. BEDAL CHKD BY: J. CONKLIN	▲			
DRAWN BY: G. IMBSEN CHKD BY: A. BEDAL	▲			
SPECIFICATIONS WRITTEN BY: A. BEDAL CHKD BY: J. CONKLIN	▲			

**TRC**

10680 White Rock Rd., Suite 100  
 Rancho Cordova, California 95670

ORIGINAL SCALE IN INCHES  
 FOR REDUCED PLANS

0 1 2 3

REGISTERED PROFESSIONAL ENGINEER  
 JUSTINA L. CONKLIN  
 No. 53183  
 06/30/21  
 CIVIL  
 STATE OF CALIFORNIA

**SAN BENITO COUNTY**  
 ESTABLISHED 1874

SAN BENITO COUNTY  
 2301 TECHNOLOGY PARKWAY,  
 HOLLISTER, CA 95023

**MEASURE G - SOUTHSIDE Rd 5000 BLOCK, FY 19-20**

**TITLE SHEET**

DATE 06-09-20	FILE 381094_SS_ab01.dwg	SHEET T-1
SCALE AS SHOWN	PROJECT NO. PWB-2013	1 OF 25 SHEETS

Drawing name: H:\381094\_San Benito Measure G Sheets\Sheets - Southside 5000 block\381094\_SS\_ab01.dwg Layout Tab: Layout1 Jun 09 2020 - 2:21 pm Alcarazoa

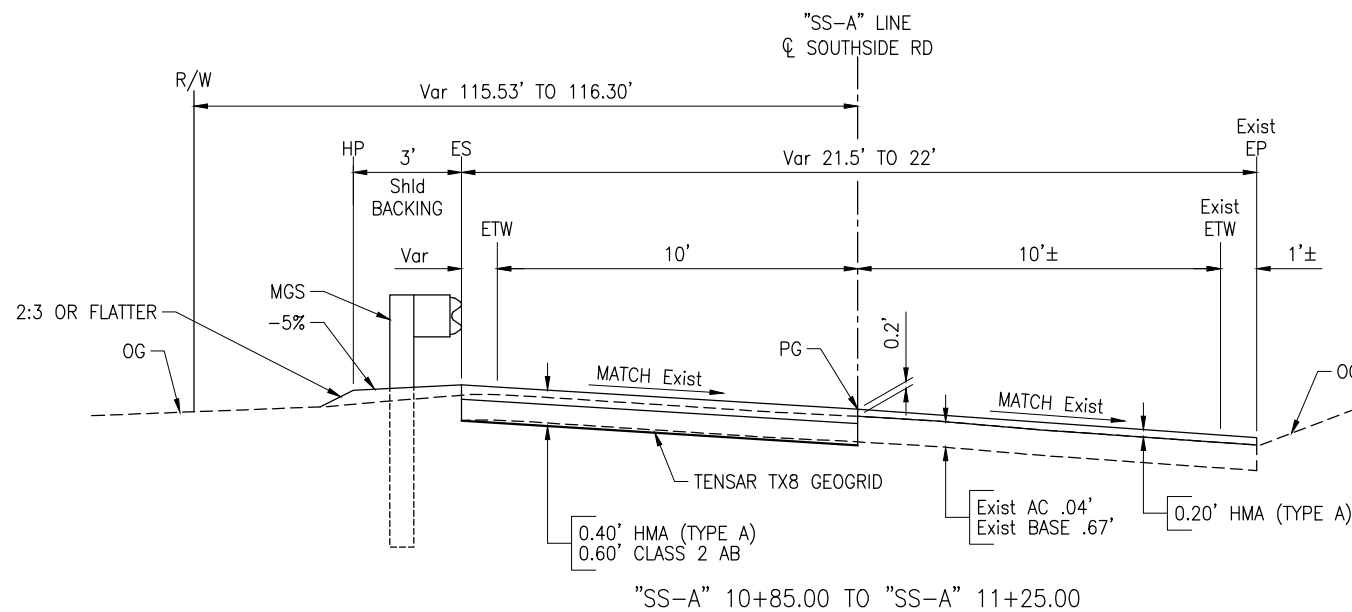
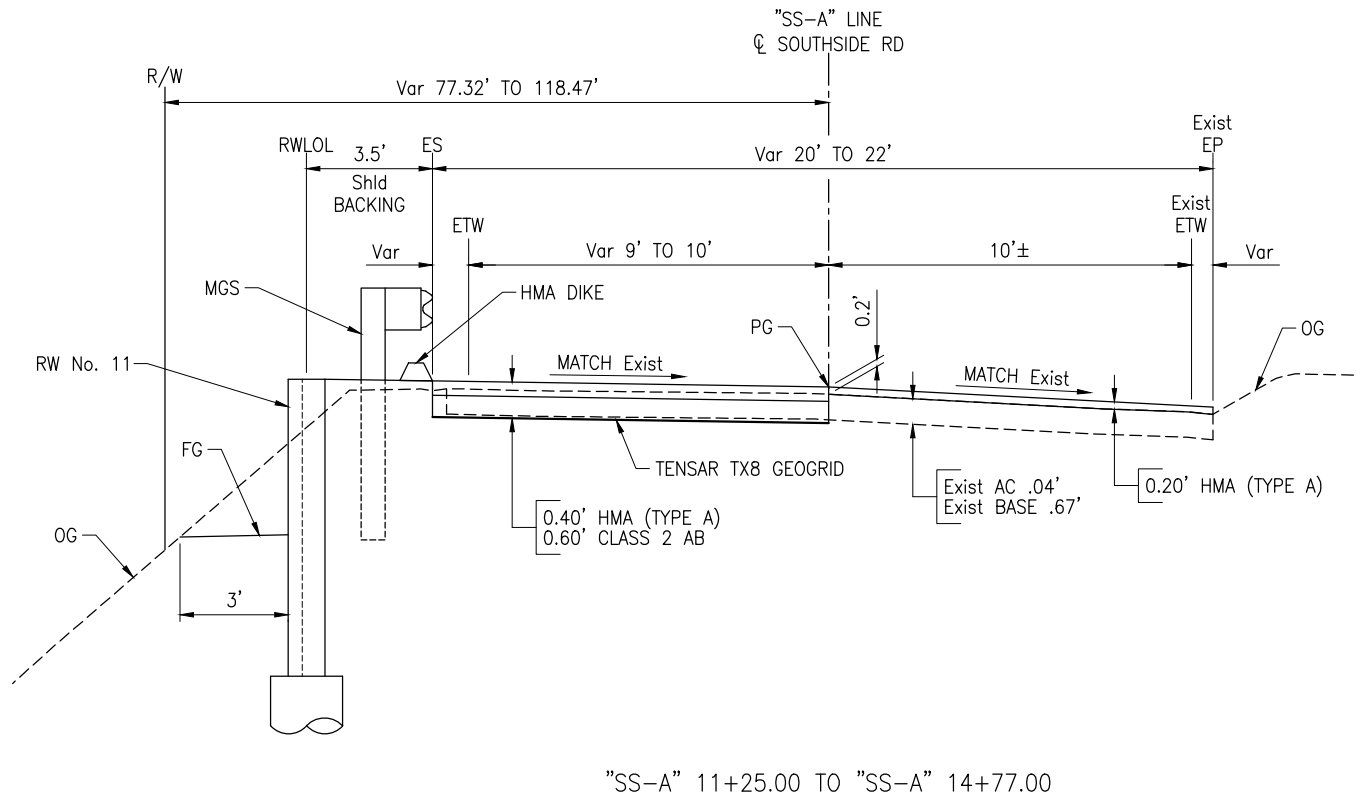
**GENERAL NOTES:**

- DIMENSIONS OF THE PAVEMENT STRUCTURES (STRUCTURAL SECTIONS) ARE SUBJECT TO TOLERANCES SPECIFIED IN THE STANDARD SPECIFICATIONS.
- ALL WORK SHALL BE IN ACCORDANCE WITH THE 2018 EDITION OF STANDARD SPECIFICATIONS. STATE OF CALIFORNIA DEPARTMENT OF TRANSPORTATION, REFERENCED AS "STANDARD SPECIFICATIONS".
- CONTRACTOR TO RE-GRADE CROWN OF ROAD TO 2% MINIMUM CROSS SLOPE GRADE BY HOLDING EP ELEVATION.
- IT SHALL BE THE CONTRACTOR'S RESPONSIBILITY TO ASCERTAIN THE EXISTENCE OF ANY AND ALL UNDERGROUND FACILITIES, WHICH MAY BE SUBJECT TO DAMAGE BY REASON OF HIS OPERATIONS. THE CONTRACTOR SHALL NOTIFY UNDERGROUND SERVICE ALERT (USA) AT 811, SEVENTY-TWO (72) HOURS PRIOR TO ANY EXCAVATION. WORK SHALL START WITHIN 5 DAYS AFTER THE ISSUANCE OF A USA INQUIRY IDENTIFICATION NUMBER. COMPLETE REMOVAL OF THE USA MARKINGS SHALL BE WITHIN 2 WORKING DAYS AFTER COMPLETION OF THE EXCAVATION, BACKFILL, AND SURFACE REPLACEMENT OR FOURTEEN (14) CALENDAR DAYS FOLLOWING THE ISSUANCE OF THE INQUIRY IDENTIFICATION NUMBER WHICHEVER IS EARLIER.
- CONTACTING USA DOES NOT RELIEVE THE CONTRACTOR FROM HIS RESPONSIBILITY TO DETERMINE LOCATION AND DEPTH OF BURIED UTILITIES OR REPAIR OF BURIED UTILITIES DAMAGED BY HIS OPERATION.
- THE CONTRACTOR SHALL NOT DISTURB OR DESTROY ANY PERMANENT SURVEY POINTS WITHOUT THE CONSENT OF THE SAN BENITO COUNTY ENGINEER. ANY PERMANENT MONUMENTS OR POINTS DISTURBED OR DESTROYED SHALL BE REPLACED BY A REGISTERED CIVIL ENGINEER OR LICENSED SURVEYOR AT THE CONTRACTOR'S EXPENSE.
- CONTRACTOR IS RESPONSIBLE FOR REPLACING ALL TRAFFIC STRIPING AND PAVEMENT MARKINGS DAMAGED OR OBLITERATED WITHIN LIMITS OF WORK. TRAFFIC STRIPING AND PAVEMENT MARKINGS SHALL MATCH EXISTING UNLESS OTHERWISE SHOWN ON PLANS OR DIRECTED BY THE COUNTY. ALL STRIPING SHALL BE THERMOPLASTIC.
- THE CONTRACTOR SHALL PROVIDE FOR CONTINUOUS INGRESS AND EGRESS TO ALL PRIVATE PROPERTY ADJACENT TO THE WORK THROUGHOUT THE PERIOD OF CONSTRUCTION UNLESS OTHERWISE SHOWN.
- THE CONTRACTOR SHALL BE RESPONSIBLE FOR ANY DAMAGES TO THE SITE OR THE SURROUNDING AREA AS A RESULT OF THE CONTRACTOR'S WORK OR OPERATIONS. EXISTING FACILITIES THAT ARE DAMAGED OR DISPLACED BY THE CONTRACTOR SHALL BE REPLACED AT THE CONTRACTOR'S EXPENSE.
- CONTRACTOR SHALL ENSURE POSITIVE DRAINAGE TO THE EXISTING DRAINAGE FACILITIES FROM THE NEW PAVEMENT AREAS.
- EXISTING SIGNAGE TO REMAIN IN PLACE UNLESS OTHERWISE NOTED.
- OVERNIGHT STORAGE OF CONSTRUCTION MATERIALS AND/OR EQUIPMENT IS NOT PERMITTED IN THE PUBLIC RIGHT-OF-WAY UNLESS OTHERWISE APPROVED IN WRITING BY SAN BENITO COUNTY. NO STORAGE OF MATERIAL SHALL BE ALLOWED AT ANY TIME.
- TOPSOIL SHALL BE LOAMY SAND OR FINER GRADATION WITH 10% - 15% ORGANIC CONTENT OR MATERIAL APPROVED BY A QUALIFIED LANDSCAPE ARCHITECT. VEGETATION TYPE SHALL BE SPECIFIED BY A QUALIFIED LANDSCAPE ARCHITECT.
- MECHANICALLY STABILIZED EARTHEN SLOPE INCLUDES UX1100 GEOGRID, BX1200 GEOGRID, TRM, SOD STAPLES, TOPSOIL, AND BACKFILL.

**ABBREVIATIONS:**

**DESIGN DESIGNATION**

TI = 8.00



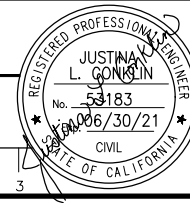
**SOUTHSIDE ROAD**

NOTE:  
THE CONTRACTOR MUST VERIFY ALL CONTROLLING FIELD DIMENSIONS BEFORE ORDERING OR FABRICATING ANY MATERIAL.

Submitted by: J. CONKLIN Design Engineer C.E. No. 53183	NO.	DATE	REVISION DESCRIPTION	APPROVED
DESIGN BY: A. BEDAL	CHKD BY: J. CONKLIN	△		
DRAWN BY: A. CARDOZA	CHKD BY: A. BEDAL	△		
SPECIFICATIONS WRITTEN BY: A. BEDAL	CHKD BY: J. CONKLIN	△		



10680 White Rock Rd., Suite 100  
Rancho Cordova, California 95670



SAN BENITO COUNTY  
2301 TECHNOLOGY PARKWAY,  
HOLLISTER, CA 95023

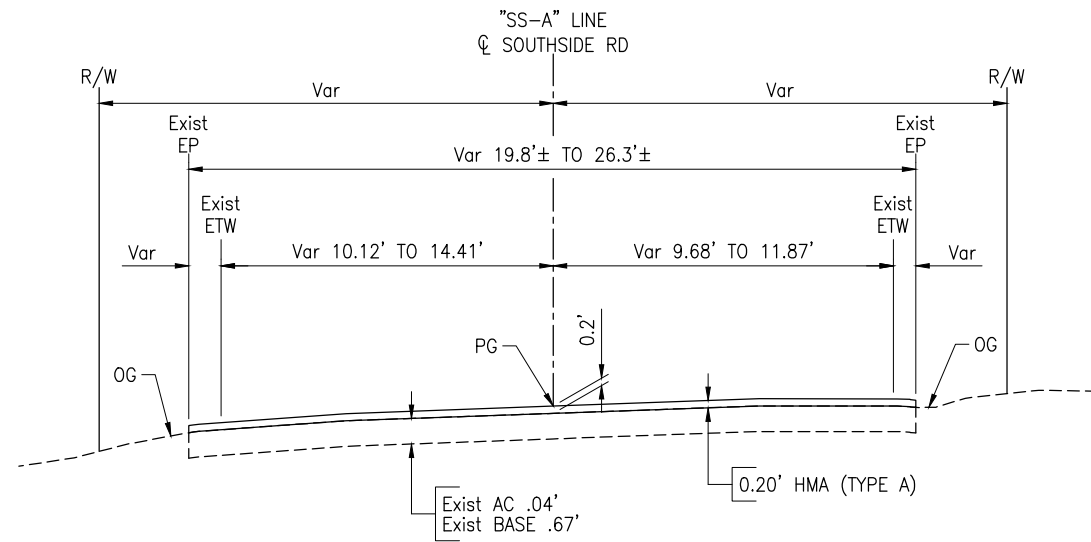
**MEASURE G - SOUTHSIDE Rd 5000 BLOCK, FY 19-20**

**TYPICAL SECTIONS**

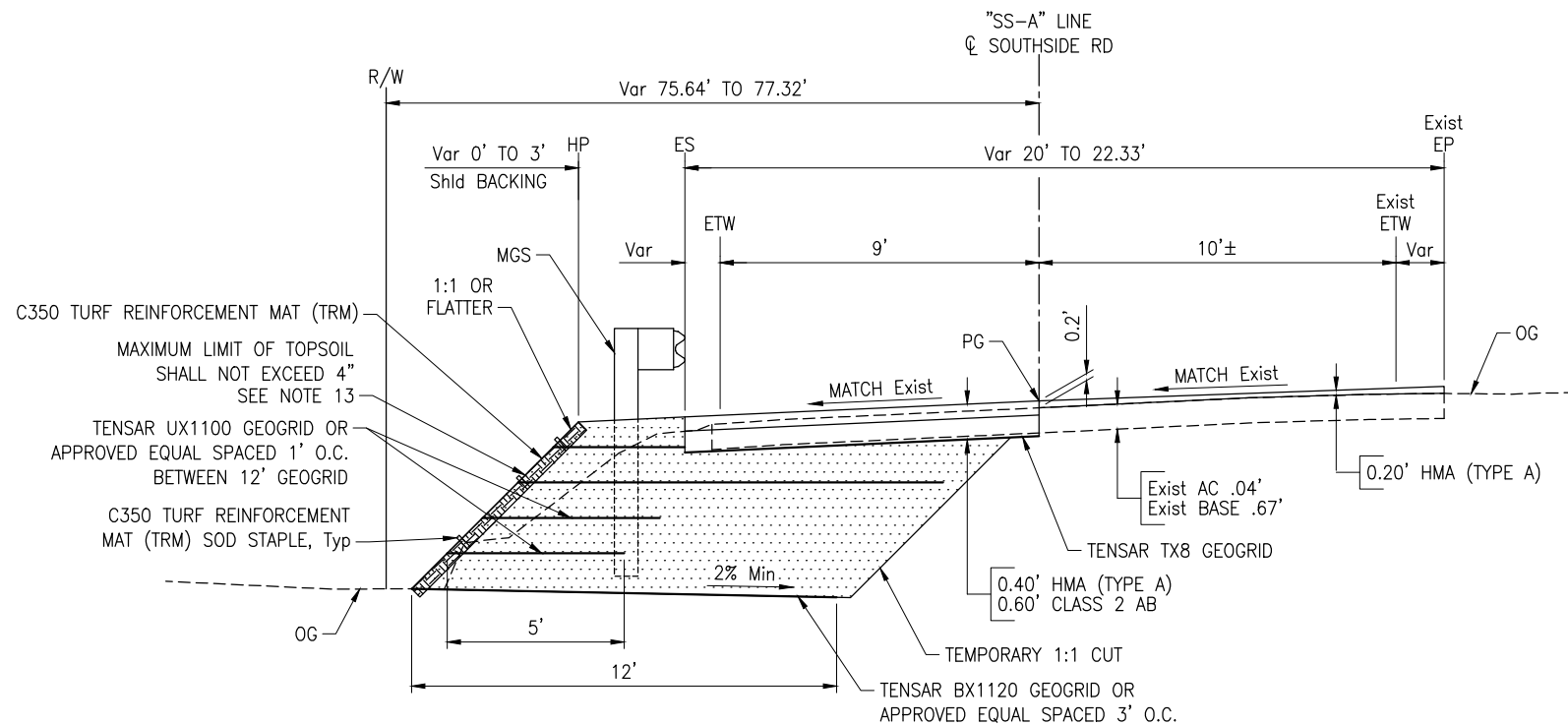
DATE 06-09-20	FILE 381094_SS_co01.dwg	SHEET X-1
SCALE AS SHOWN	PROJECT NO. PWB-2013	2 OF 25 SHEETS

Drawing name: C:\Users\jconcl\OneDrive\Desktop\Newell\Temp\Pub\381094\_SS\_co01.dwg Log: 06/09/2020 2:37pm D:\corkett

CAUTION: The Engineer preparing these plans will not be responsible for, or liable for, unauthorized changes to or uses of these plans. All changes to the plans must be in writing and must be approved by the preparer of these plans.



"SS-A" 15+28.58 TO "SS-A" 27+15.00



"SS-A" 14+77.00 TO "SS-A" 15+28.58

SOUTHSIDE ROAD

NOTE:  
 THE CONTRACTOR MUST VERIFY ALL CONTROLLING FIELD DIMENSIONS BEFORE ORDERING OR FABRICATING ANY MATERIAL.

Submitted by: J. CONKLIN Design Engineer C.E. No. 53183	NO.	DATE	REVISION DESCRIPTION	APPROVED
DESIGN BY: A. BEDAL	△			
CHKD BY: J. CONKLIN	△			
DRAWN BY: A. CARDOZA	△			
CHKD BY: A. BEDAL	△			
SPECIFICATIONS WRITTEN BY: A. BEDAL	△			
CHKD BY: J. CONKLIN	△			

**TRC**

10680 White Rock Rd., Suite 100  
 Rancho Cordova, California 95670

REGISTERED PROFESSIONAL ENGINEER  
 JUSTINA L. GONZALEZ  
 No. 53183  
 06/30/21  
 CIVIL  
 STATE OF CALIFORNIA

ORIGINAL SCALE IN INCHES FOR REDUCED PLANS

0 1 2 3

**SAN BENITO COUNTY**

ESTABLISHED 1874

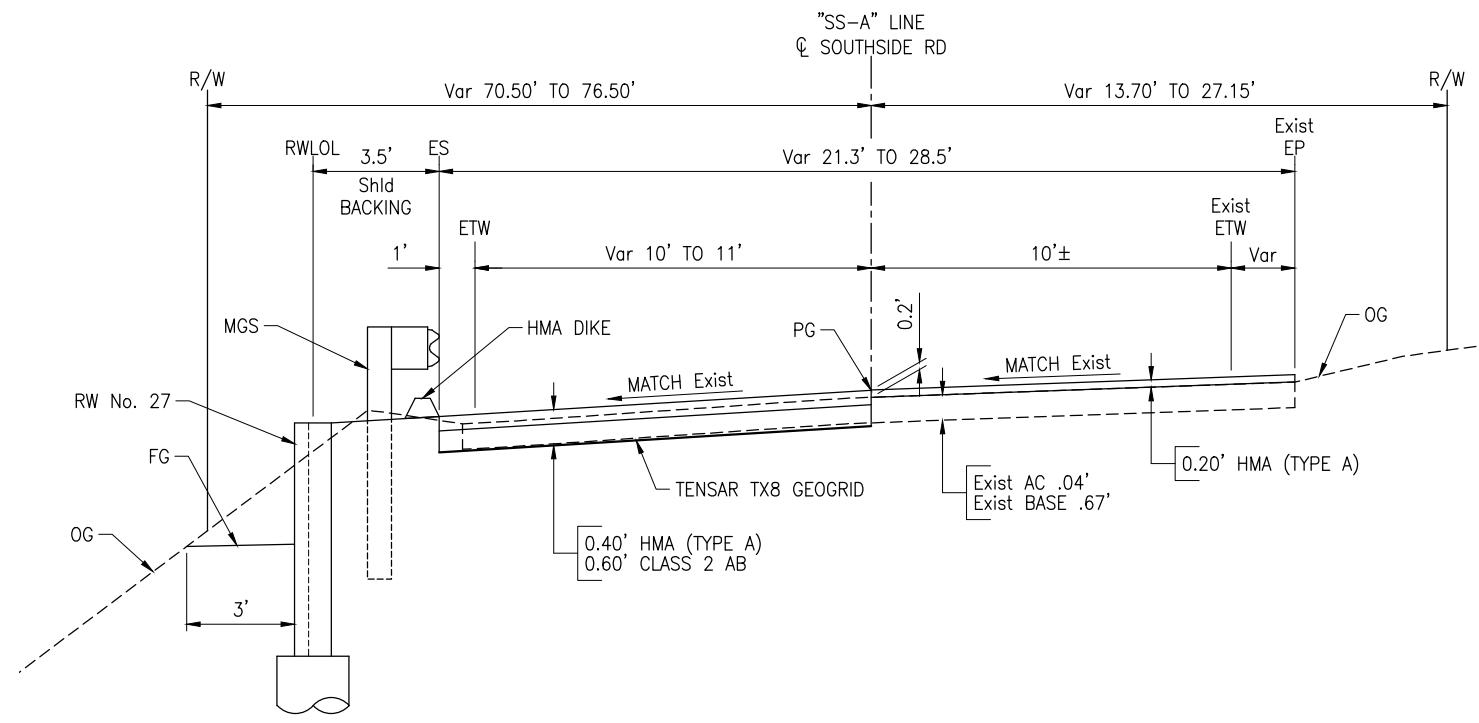
SAN BENITO COUNTY  
 2301 TECHNOLOGY PARKWAY,  
 HOLLISTER, CA 95023

**MEASURE G - SOUTHSIDE Rd 5000 BLOCK, FY 19-20**

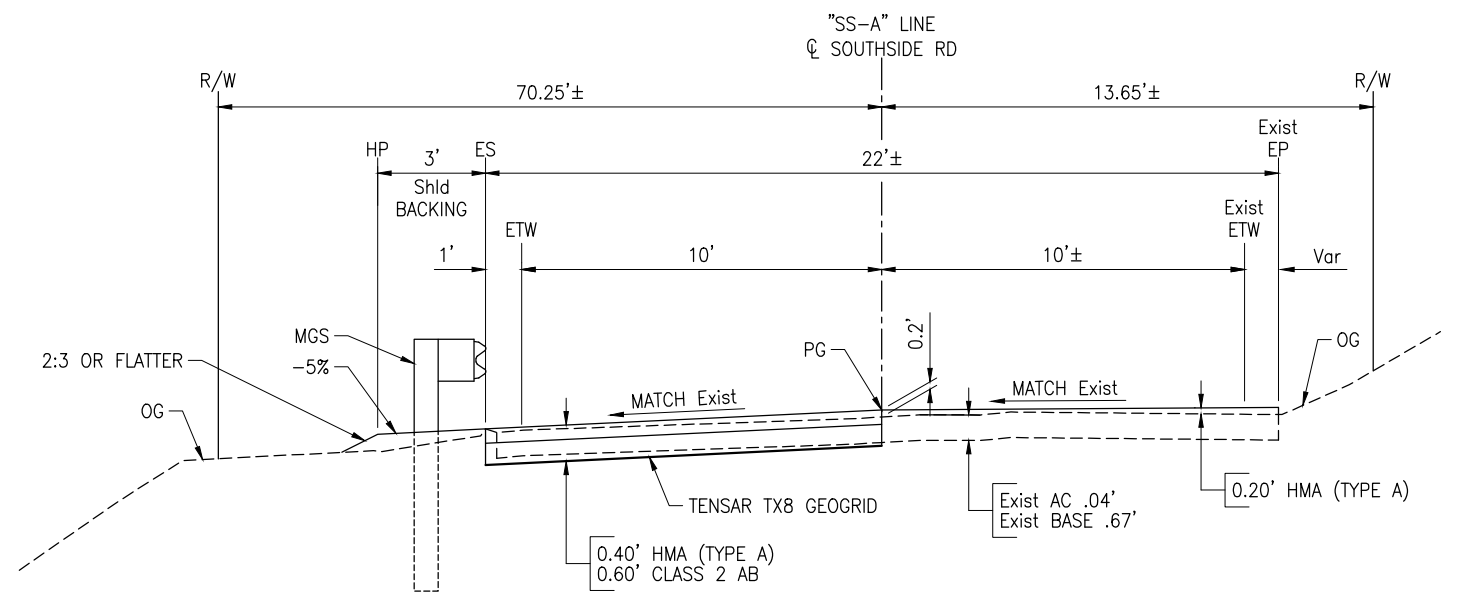
**TYPICAL SECTIONS**

DATE 06-09-20	FILE 381094_SS_ca01.dwg	SHEET X-2
SCALE AS SHOWN	PROJECT NO. PWB-2013	3 OF 25 SHEETS

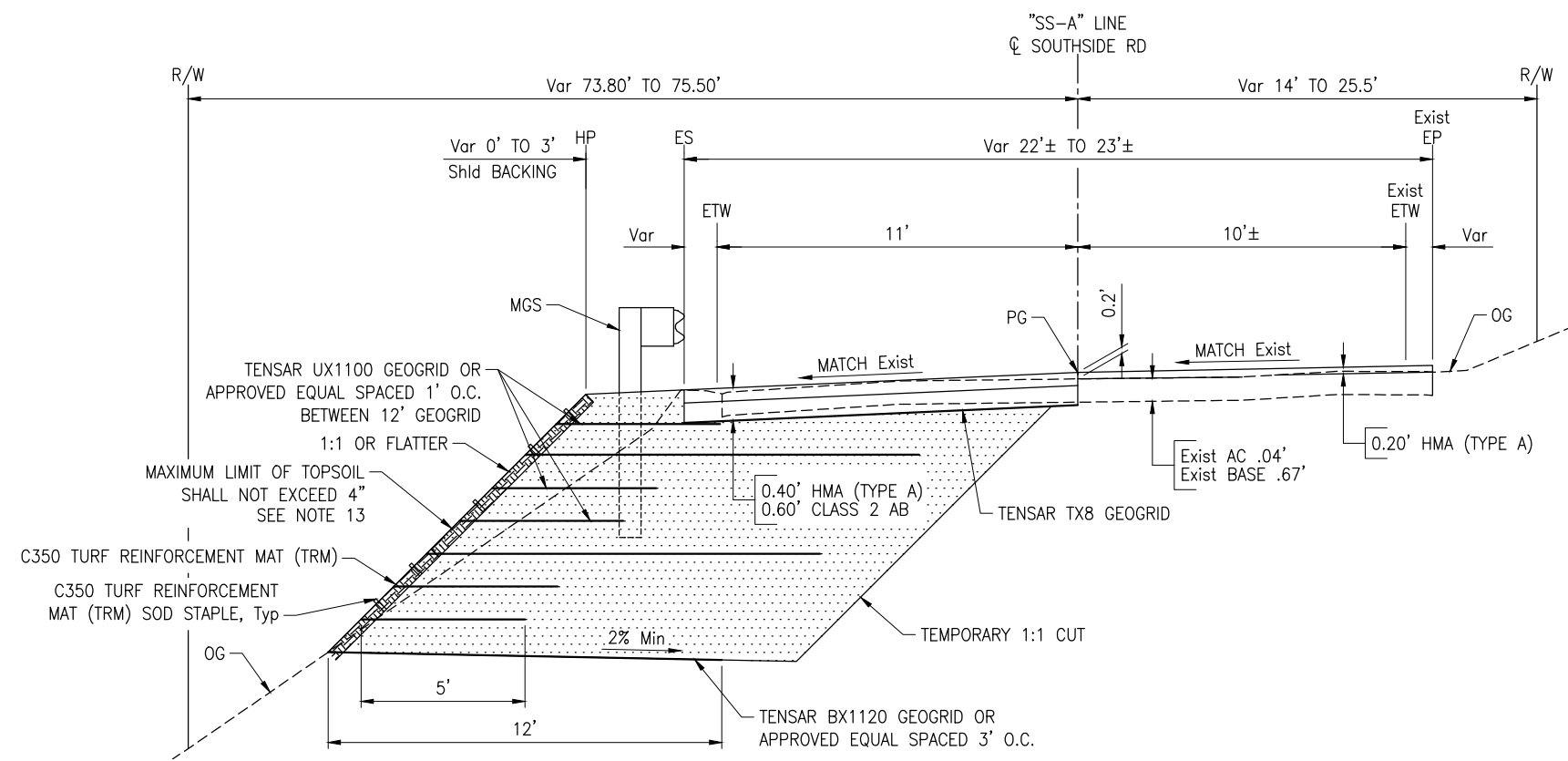
Drawing Name: C:\Users\jconcl\OneDrive\Temp\Drawings\SS-ca01.dwg  
 Logon: Tab. X-2, Jun 09 2020 - 2:38pm, D:\corkett



"SS-A" 27+75.00 TO "SS-A" 31+20.00



"SS-A" 31+20.00 TO "SS-A" 31+65.00



"SS-A" 27+15.00 TO "SS-A" 27+75.00

**SOUTHSIDE ROAD**

NOTE:  
THE CONTRACTOR MUST VERIFY ALL CONTROLLING  
FIELD DIMENSIONS BEFORE ORDERING OR  
FABRICATING ANY MATERIAL.

Submitted by: J. CONKLIN Design Engineer C.E. No. 53183	NO.	DATE	REVISION DESCRIPTION	APPROVED
DESIGN BY: A. BEDAL	△			
CHKD BY: J. CONKLIN	△			
DRAWN BY: A. CARDOZA	△			
CHKD BY: A. BEDAL	△			
SPECIFICATIONS WRITTEN BY: A. BEDAL	△			
CHKD BY: J. CONKLIN	△			

**TRC**

10680 White Rock Rd., Suite 100  
Rancho Cordova, California 95670

REGISTERED PROFESSIONAL ENGINEER  
JUSTINA L. GONKIN  
No. 53183  
06/30/21  
CIVIL  
STATE OF CALIFORNIA

ORIGINAL SCALE IN INCHES  
FOR REDUCED PLANS

0 1 2 3

**SAN BENITO COUNTY**

2301 TECHNOLOGY PARKWAY,  
HOLLISTER, CA 95023

MEASURE G - SOUTHSIDE Rd 5000 BLOCK, FY 19-20		
TYPICAL SECTIONS		
DATE 06-09-20	FILE 381094_SS_ca01.dwg	SHEET X-3
SCALE AS SHOWN	PROJECT NO. PWB-2013	4 OF 25 SHEETS

Drawing Name: C:\Users\jconcl\OneDrive\Desktop\Drawings\Temp\Pub\381094\_SS\_ca01.dwg  
 Log: Log: Tab: X-3 Jun 09 2020 2:38pm D:\corkett

**NOTES:**

- CALTRANS APPROVED 31" ALTERNATIVE IN-LINE TERMINAL SYSTEM. TEST LEVEL 2 AND 21'-10 1/2" SYSTEM LENGTH.
- FOR ACCURATE RIGHT OF WAY DATA, CONTACT RIGHT OF WAY ENGINEERING AT THE DISTRICT OFFICE.
- FOR GUARDRAIL AND END TREATMENT DETAILS NOT SHOWN, SEE CALTRANS A77P2 AND RSP A77T1.
- UTILITY OWNERSHIP:

**LEGEND:**

- RETAINING WALL
- MGS (STEEL POST)
- HMA OVERLAY
- COLD PLANE AC PAVEMENT
- HYDROSEED
- R/W RIGHT OF WAY
- (No.) TRAFFIC STRIPE DETAIL TO BE INSTALLED
- BEGIN/END OF TRAFFIC STRIPE DETAIL

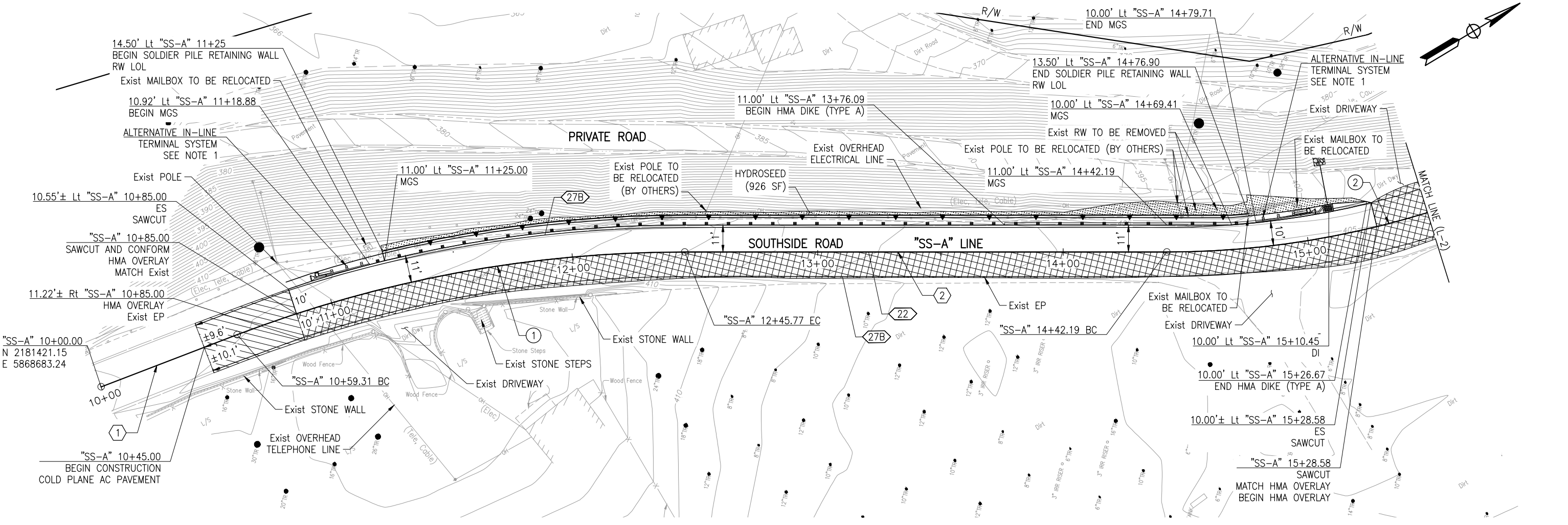
**VERTICAL DATUM**  
NAVD 1988

**BASIS OF BEARINGS:**

THE BEARING OF N89°28'57"W BETWEEN THE TWO FOUND PIPES ALONG THE NORTHERLY LINE OF THE 20' IEE AS SHOWN ON THAT CERTAIN PARCEL MAP RECORDED OCTOBER 7, 2014, IN BOOK 11 OF PARCEL MAPS AT PAGE 34. OFFICIAL RECORDS OF SAN BENITO COUNTY, CALIFORNIA WAS TAKEN AS THE BASIS FOR ALL BEARINGS SHOWN HEREON. SAID BEARING HAS BEEN ROTATED -0° 09' 29" FROM THE RECORD BEARING OF N89°19'27"E FOR THE PURPOSES OF THIS MAP.

**BENCHMARK:**

E 1055 (354.50' NAVD88)  
2.6 MI SE FROM HOLLISTER. 0.8 MILE SOUTH ALONG MONTEREY STREET FROM THE SAN BENITO COUNTY COURTHOUSE IN HOLLISTER THENCE 1.75 MILES EAST AND SOUTHWEST ALONG NASH ROAD AND STATE HIGHWAY 25, THENCE 0.05 MILE SOUTHWEST ALONG A PAVED ROAD, AT THE PAUL BERTUCCIO FARMS PROCESSING PLANT, 24 FEET NORTH OF THE NORTHEAST CORNER OF THE PLANT OFFICE, ABOUT 2 FEET BELOW THE TOP OF THE LOADING DOCK, AND SET VERTICALLY IN THE SOUTH FACE OF THE NORTH WING WALL OF A LOADING DOCK.



**PLAN**

1"=20'

**CURVE DATA**

CURVE	RADIUS	Δ	L	T
①	510.00	20°56'52"	186.46'	94.28'
②	360.00	35°50'49"	225.23'	116.44'

**LINE DATA**

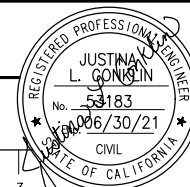
LINE	DISTANCE	BEARING
①	59.31'	N 10°01'15" E
②	196.42'	N 30°58'07.43" E

**NOTE:**  
THE CONTRACTOR MUST VERIFY ALL CONTROLLING FIELD DIMENSIONS BEFORE ORDERING OR FABRICATING ANY MATERIAL.

NO.	DATE	REVISION DESCRIPTION	APPROVED



10680 White Rock Rd., Suite 100  
Rancho Cordova, California 95670



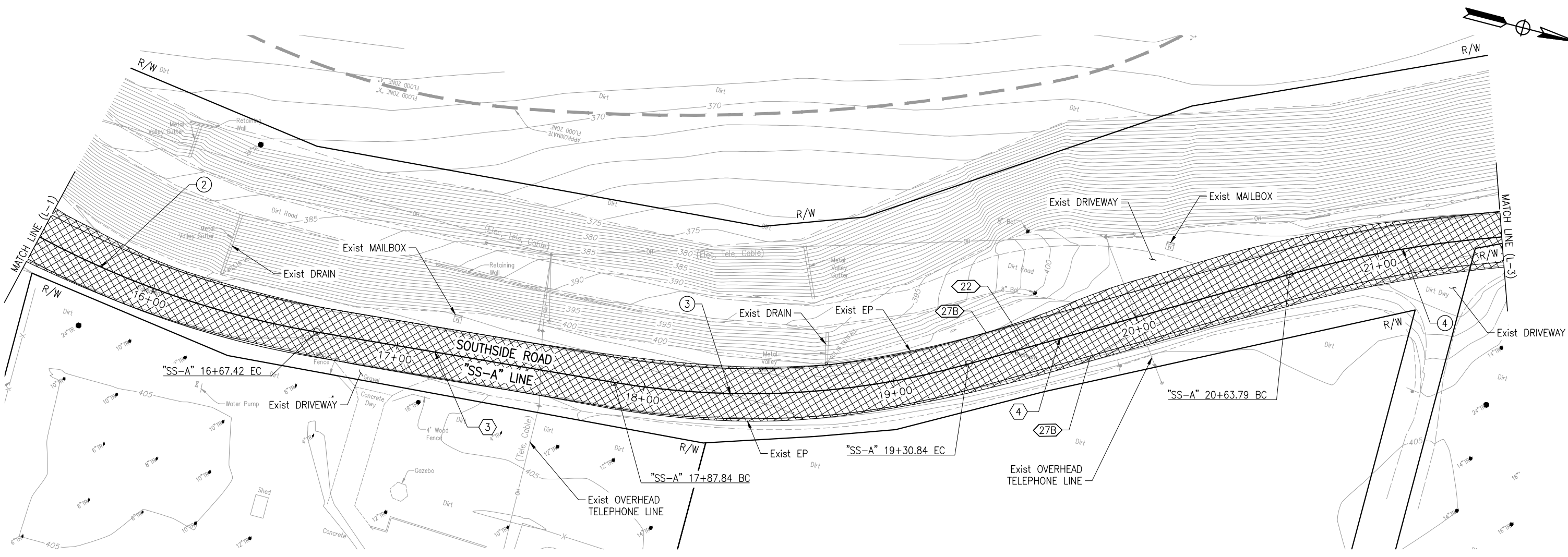
**SAN BENITO COUNTY**  
2301 TECHNOLOGY PARKWAY,  
HOLLISTER, CA 95023

**MEASURE G - SOUTHSIDE Rd 5000 BLOCK, FY 19-20**

**LAYOUT**

DATE 06-09-20	FILE 381094_SS_ea01.dwg	SHEET L-1
SCALE AS SHOWN	PROJECT NO. PWB-2013	5 OF 25 SHEETS

Drawing Name: C:\Users\jconklin\OneDrive\LocalTemp\Drawings\37241381094\_SS\_ea01.dwg  
 Layout: Tab: L-1 Jun 09 2020 - 2:44pm Blockset



**PLAN**  
1"=20'

**CURVE DATA**

CURVE	RADIUS	Δ	L	T
②	360.00	35°50'49"	225.23'	116.44'
③	325.00	25°12'35"	143.00'	72.68'
④	440.00	12°39'13"	97.17'	48.78'

**LINE DATA**

LINE	DISTANCE	BEARING
③	120.42'	N 4°52'41.49" W
④	132.95'	N 30°05'16.78" W

NOTE:  
THE CONTRACTOR MUST VERIFY ALL CONTROLLING  
FIELD DIMENSIONS BEFORE ORDERING OR  
FABRICATING ANY MATERIAL.

Submitted by:	NO.	DATE	REVISION DESCRIPTION	APPROVED
J. CONKLIN Design Engineer C.E. No. 53183	△			
DESIGN BY: A. BEDAL CHKD BY: J. CONKLIN	△			
DRAWN BY: A. CARDOZA CHKD BY: A. BEDAL	△			
SPECIFICATIONS WRITTEN BY: A. BEDAL CHKD BY: J. CONKLIN	△			

**TRC**

10680 White Rock Rd., Suite 100  
Rancho Cordova, California 95670

REGISTERED PROFESSIONAL ENGINEER  
JUSTIN L. GONKIN  
No. 53183  
Exp. 06/30/21  
CIVIL  
STATE OF CALIFORNIA

**SAN BENITO COUNTY**

ESTABLISHED 1874

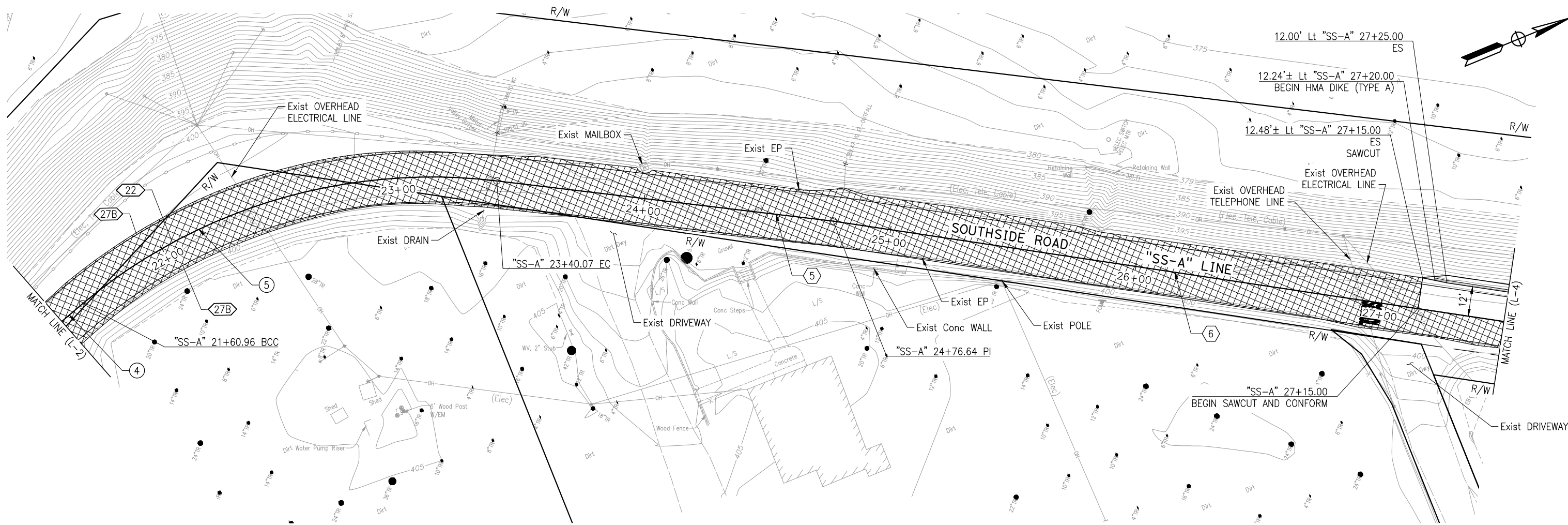
SAN BENITO COUNTY  
2301 TECHNOLOGY PARKWAY,  
HOLLISTER, CA 95023

**MEASURE G - SOUTHSIDE Rd 5000 BLOCK, FY 19-20**

**LAYOUT**

DATE 06-09-20	FILE 381094_SS_ea01.dwg	SHEET L-2
SCALE AS SHOWN	PROJECT NO. PWB-2013	6 OF 25 SHEETS

Drawing Name: C:\Users\jconklin\OneDrive\Work\Temp\SS\_ea01.dwg Layout: Tab: L-2 Jun 09 2020 - 2:44pm Blockset:



**PLAN**  
1"=20'

**CURVE DATA**

CURVE	RADIUS	Δ	L	T
④	440.00	12°39'13"	97.17'	48.78'
⑤	220.00	46°38'53"	179.12'	94.86'

**LINE DATA**

LINE	DISTANCE	BEARING
⑤	136.57'	N 29°12'48.46" E
⑥	328.59'	N 30°54'02.17" E

NOTE:  
THE CONTRACTOR MUST VERIFY ALL CONTROLLING  
FIELD DIMENSIONS BEFORE ORDERING OR  
FABRICATING ANY MATERIAL.

Submitted by: J. CONKLIN Design Engineer C.E. No. 53183	NO.	DATE	REVISION DESCRIPTION	APPROVED
DESIGN BY: A. BEDAL CHKD BY: J. CONKLIN	△			
DRAWN BY: A. CARDOZA CHKD BY: A. BEDAL	△			
SPECIFICATIONS WRITTEN BY: A. BEDAL CHKD BY: J. CONKLIN	△			

**TRC**

10680 White Rock Rd., Suite 100  
Rancho Cordova, California 95670

REGISTERED PROFESSIONAL ENGINEER  
JUSTINA L. GONZALEZ  
No. 53183  
Exp. 06/30/21  
CIVIL  
STATE OF CALIFORNIA

**SAN BENITO COUNTY**

ESTABLISHED 1874

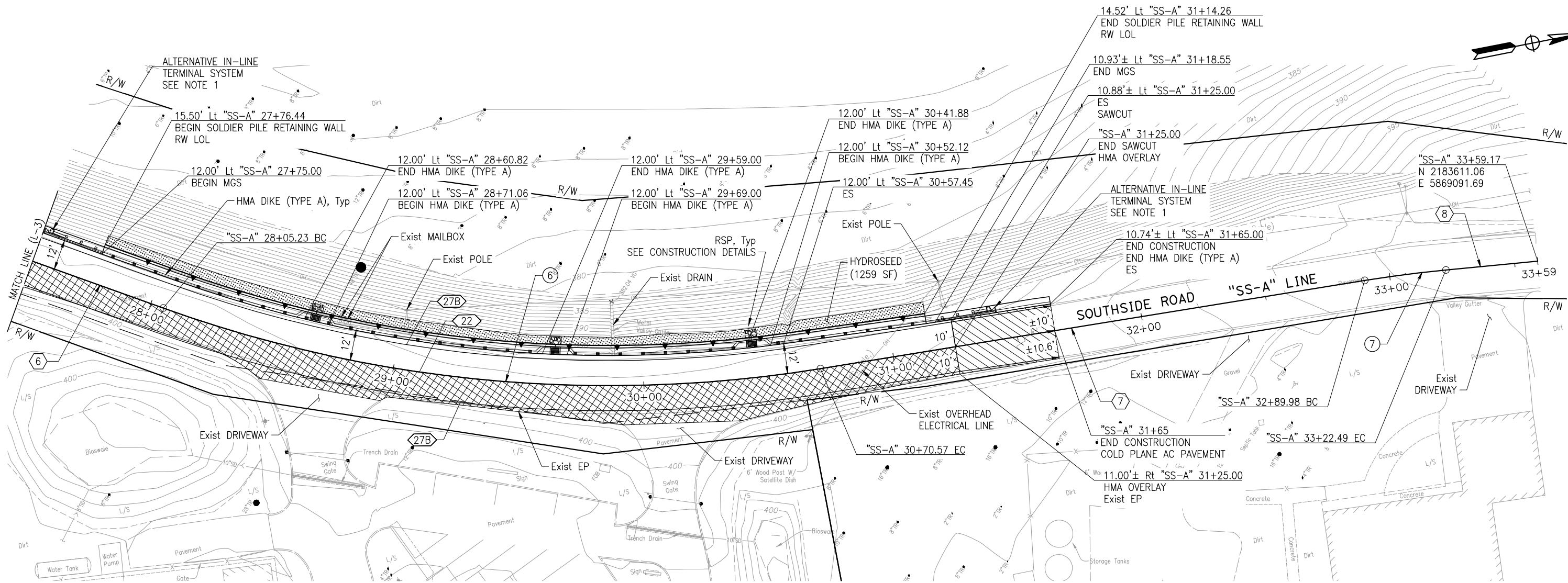
**SAN BENITO COUNTY**  
2301 TECHNOLOGY PARKWAY,  
HOLLISTER, CA 95023

**MEASURE G - SOUTHSIDE Rd 5000 BLOCK, FY 19-20**

**LAYOUT**

DATE 06-09-20	FILE 381094_SS_ea01.dwg	SHEET L-3
SCALE AS SHOWN	PROJECT NO. PWB-2013	7 OF 25 SHEETS

Drawing name: C:\Users\jconcl\OneDrive\Temp\Drawings\3724\381094\_SS\_ea01.dwg Layout: Tab: L-3 Jun 09 2020 - 2:45pm Blackwell



**CURVE DATA**

CURVE	RADIUS	Δ	L	T
⑥	525.00	28°57'30"	265.34'	135.57'
⑦	500.00	3°43'33"	32.51'	16.26'

**LINE DATA**

LINE	DISTANCE	BEARING
⑥	328.59'	N 30°54'02.17" E
⑦	219.40'	N 1°56'32.31" E
⑧	36.68'	N 5°40'05.36" E

**PLAN**  
1"=20'

NOTE:  
THE CONTRACTOR MUST VERIFY ALL CONTROLLING  
FIELD DIMENSIONS BEFORE ORDERING OR  
FABRICATING ANY MATERIAL.

Submitted by: J. CONKLIN Design Engineer C.E. No. 53183	NO.	DATE	REVISION DESCRIPTION	APPROVED
DESIGN BY: A. BEDAL CHKD BY: J. CONKLIN	▲			
DRAWN BY: A. CARDOZA CHKD BY: A. BEDAL	▲			
SPECIFICATIONS WRITTEN BY: A. BEDAL CHKD BY: J. CONKLIN	▲			

**TRC**

10680 White Rock Rd., Suite 100  
Rancho Cordova, California 95670

REGISTERED PROFESSIONAL ENGINEER  
JUSTIN L. GONZALEZ  
No. 53183  
06/30/21  
CIVIL  
STATE OF CALIFORNIA

**SAN BENITO COUNTY**

SAN BENITO COUNTY  
2301 TECHNOLOGY PARKWAY,  
HOLLISTER, CA 95023

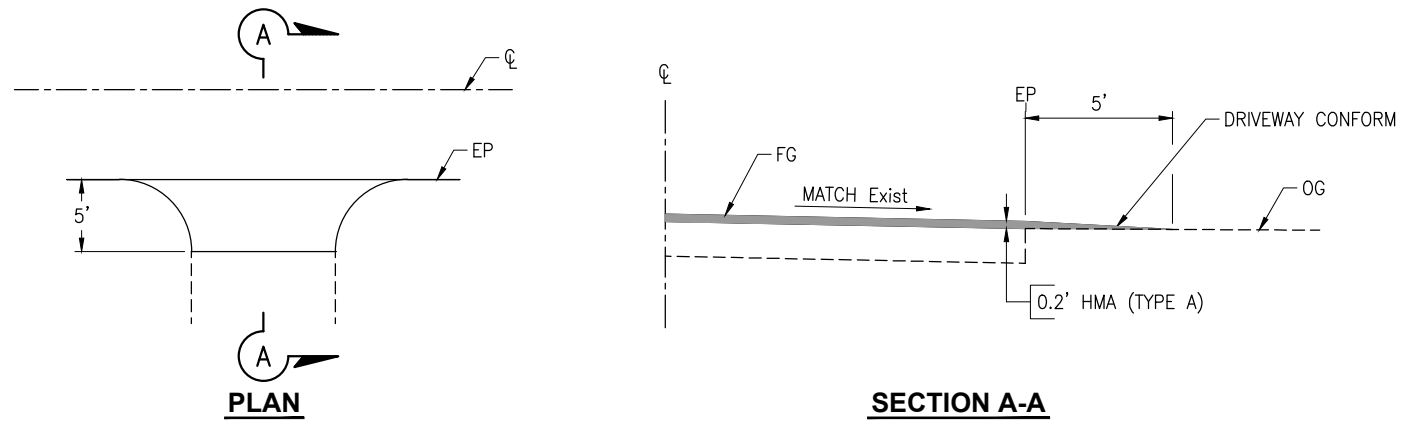
**MEASURE G - SOUTHSIDE Rd 5000 BLOCK, FY 19-20**

**LAYOUT**

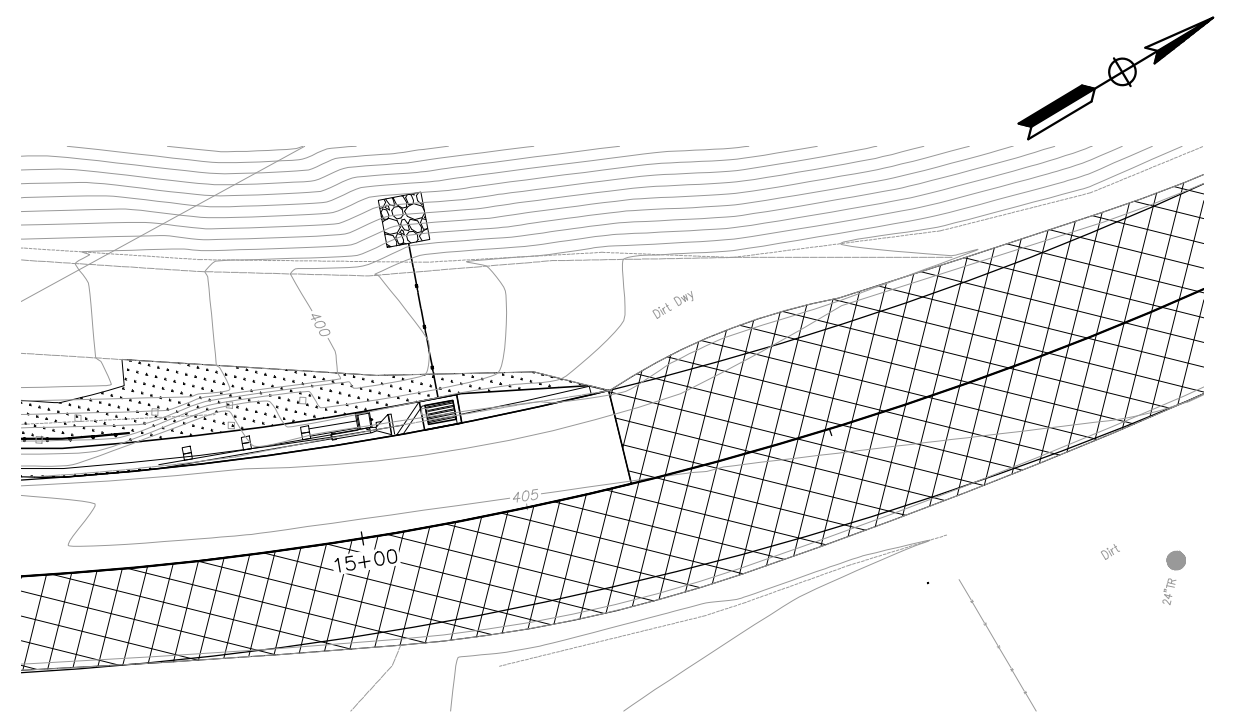
DATE 06-09-20	FILE 381094_SS_ea01.dwg	SHEET L-4
SCALE AS SHOWN	PROJECT NO. PWB-2013	8 OF 25 SHEETS

Drawing Name: C:\Users\jconcl\OneDrive\Desktop\Newell\Temp\Pub\381094\_SS\_ea01.dwg  
 Layout: Tab: L-4, Jun 09 2020 - 2:45pm, Blackwell

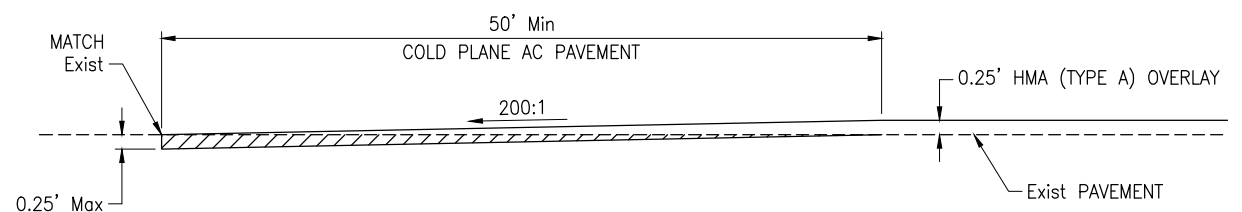
CAUTION: The Engineer preparing these plans will not be responsible for, or liable for, unauthorized changes to or uses of these plans. All changes to the plans must be in writing and must be approved by the preparer of these plans.



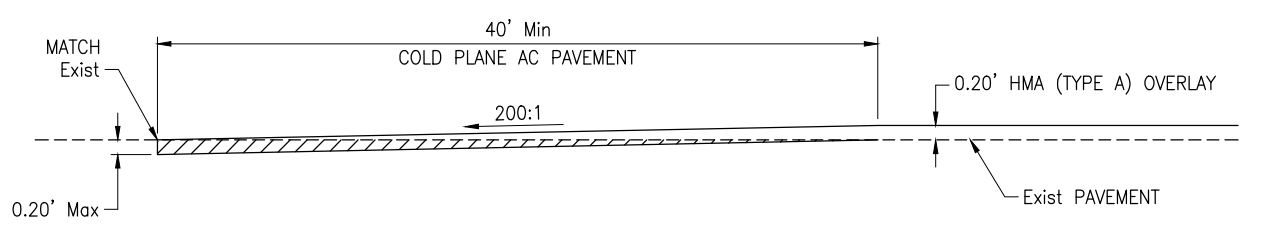
**DRIVEWAY DETAIL**  
NO SCALE



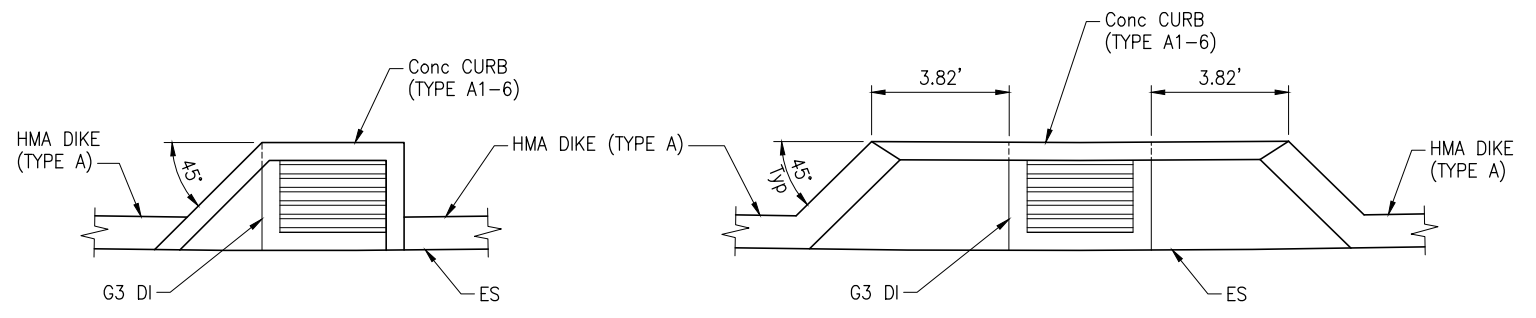
**DRIVEWAY DETAIL**  
1"=10'



**50' CONFORM TAPER DETAIL**  
NO SCALE



**40' CONFORM TAPER DETAIL**  
NO SCALE



**CURB TRANSITION DETAIL 1**  
NO SCALE

**CURB TRANSITION DETAIL 2**  
NO SCALE

**NOTES:**

- ALL WORK SHALL BE IN ACCORDANCE WITH THE 2018 EDITION OF STANDARD SPECIFICATIONS. STATE OF CALIFORNIA, DEPARTMENT OF TRANSPORTATION, REFERENCED AS "STANDARD SPECIFICATIONS".
- CONFORM DRIVEWAY FROM OVERLAY TO MATCH EXISTING. CONFORM DISTANCES CAN BE ADJUSTED PER ENGINEER IN THE FIELD.

**LEGEND:**

- HOT MIX ASPHALT
- REPLACE AC SURFACING
- DIRECTION OF TRAFFIC

NOTE:  
THE CONTRACTOR MUST VERIFY ALL CONTROLLING FIELD DIMENSIONS BEFORE ORDERING OR FABRICATING ANY MATERIAL.

Drawing name: H:\381094\_San Benito Measure G\Sheets\Sheets - Southside 5000 block\381094\_SS\_ga01.dwg - Southside 5000 block\381094\_SS\_ga01.dwg - 2:09pm Alcarozza

Submitted by: J. CONKLIN Design Engineer C.E. No. 53183		NO.	DATE	REVISION DESCRIPTION	APPROVED
DESIGN BY: A. BEDAL	CHKD BY: J. CONKLIN	△			
DRAWN BY: A. CARDOZA	CHKD BY: A. BEDAL	△			
SPECIFICATIONS WRITTEN BY: A. BEDAL	CHKD BY: J. CONKLIN	△			

**TRC**

10680 White Rock Rd., Suite 100  
Rancho Cordova, California 95670

REGISTERED PROFESSIONAL ENGINEER  
JUSTINA L. GONZALEZ  
No. 53183  
06/30/21  
CIVIL  
STATE OF CALIFORNIA

**SAN BENITO COUNTY**

2301 TECHNOLOGY PARKWAY,  
HOLLISTER, CA 95023

**MEASURE G - SOUTHSIDE Rd 5000 BLOCK, FY 19-20**

**CONSTRUCTION DETAILS**

DATE 06-09-20	FILE 381094_SS_ga01.dwg	SHEET C-1
SCALE AS SHOWN	PROJECT NO. PWB-2013	9 OF 25 SHEETS



CAUTION: The Engineer preparing these plans will not be responsible for, or liable for, unauthorized changes to or uses of these plans. All changes to the plans must be in writing and must be approved by the preparer of these plans.

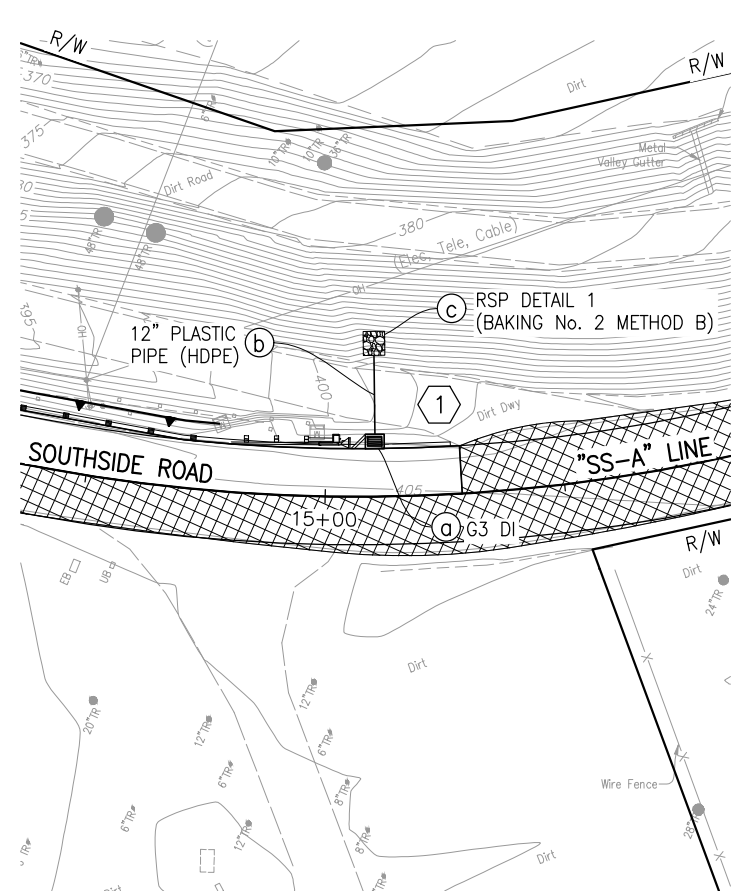


**NOTES:**

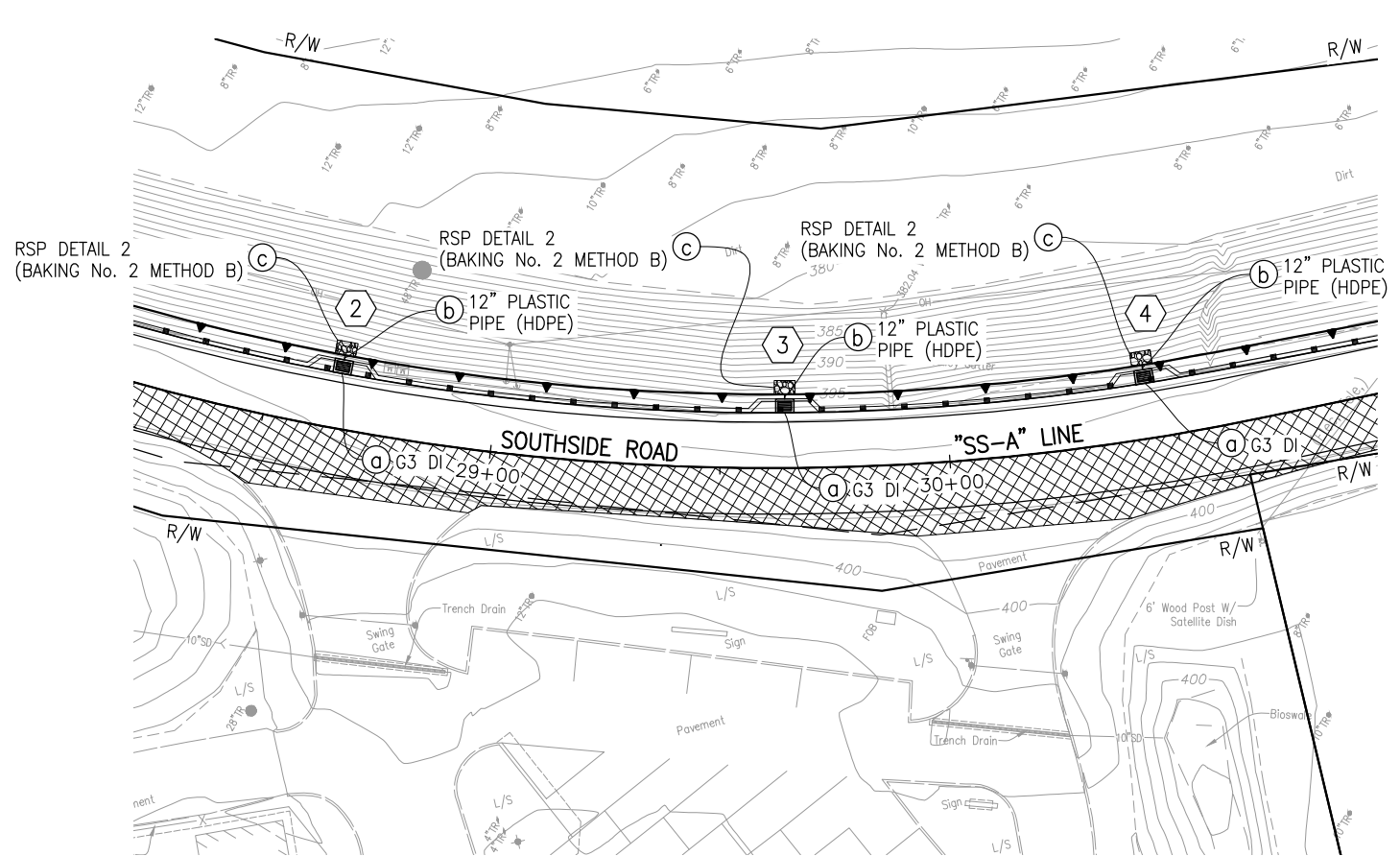
- FOR ACCURATE RIGHT OF WAY DATA, CONTACT RIGHT OF WAY ENGINEERING AT THE DISTRICT OFFICE.
- FOR "RSP DETAIL 1" AND "RSP DETAIL 2," SEE SHEET DD-1.

**LEGEND:**

-  DRAINAGE SYSTEM NUMBER
-  DRAINAGE ITEM



**PLAN**  
1"=20'



**PLAN**  
1"=20'

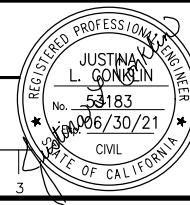
NOTE:  
THE CONTRACTOR MUST VERIFY ALL CONTROLLING FIELD DIMENSIONS BEFORE ORDERING OR FABRICATING ANY MATERIAL.

APPROVED FOR DRAINAGE WORK ONLY

Submitted by: J. CONKLIN Design Engineer C.E. No. 53183	NO.	DATE	REVISION DESCRIPTION	APPROVED
DESIGN BY: A. BEDAL	△			
CHKD BY: J. CONKLIN	△			
DRAWN BY: A. CARDOZA	△			
CHKD BY: A. BEDAL	△			
SPECIFICATIONS WRITTEN BY: A. BEDAL	△			
CHKD BY: J. CONKLIN	△			



10680 White Rock Rd., Suite 100  
Rancho Cordova, California 95670



SAN BENITO COUNTY  
2301 TECHNOLOGY PARKWAY,  
HOLLISTER, CA 95023

**MEASURE G - SOUTHSIDE Rd 5000 BLOCK, FY 19-20**

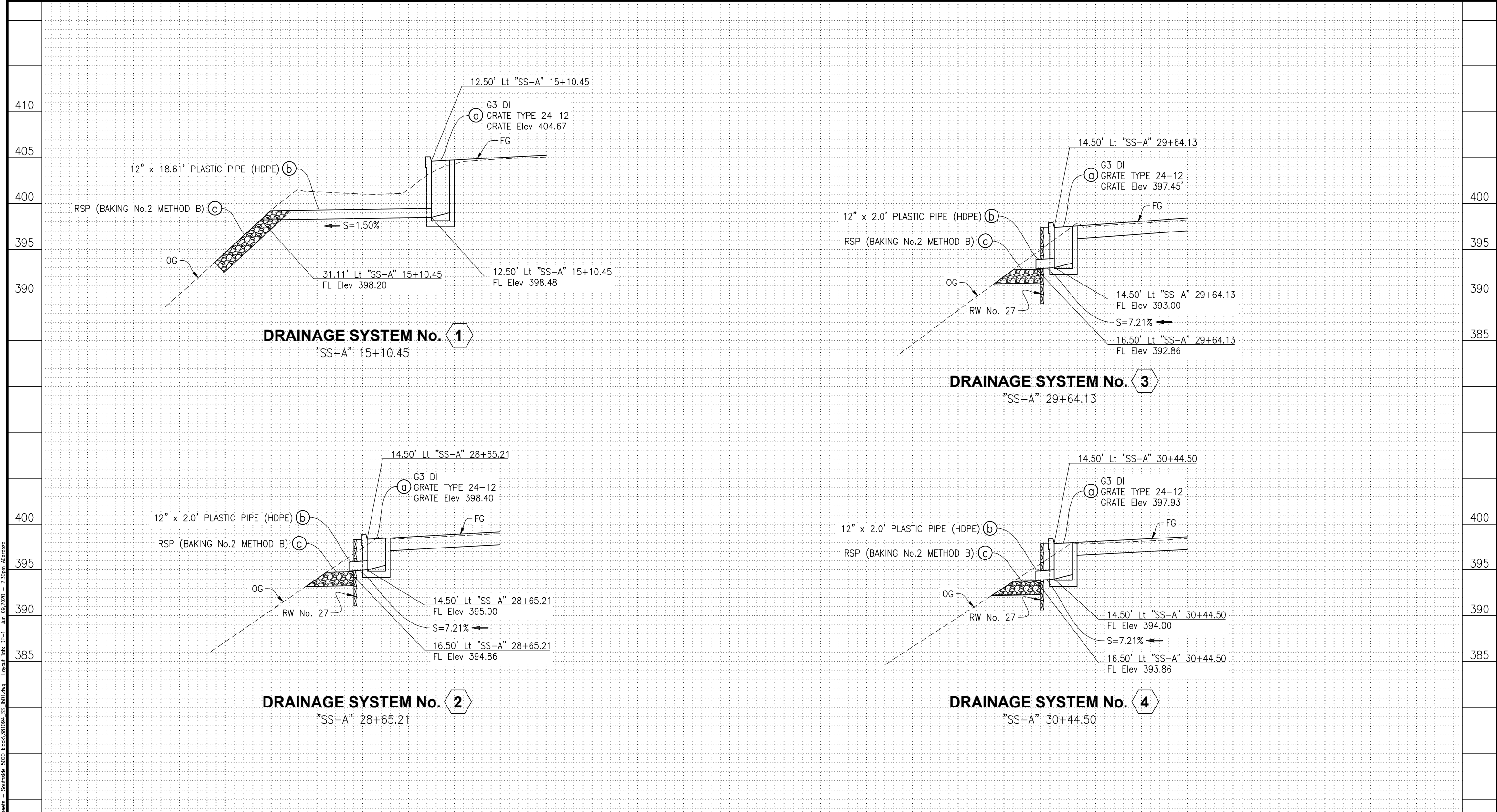
**DRAINAGE PLAN**

DATE 06-09-20	FILE 381094_SS_ia01.dwg	SHEET D-1
SCALE AS SHOWN	PROJECT NO. PWB-2013	10 OF 25 SHEETS

Drawing name: H:\381094\_San Benito Measure G\Sheets\Sheets - Southside 5000 block\381094\_SS\_ia01.dwg Layout Tab: D-1 Jun 09 2020 - 2:27pm ACardozo

CAUTION: The Engineer preparing these plans will not be responsible for, or liable for, unauthorized changes to or uses of these plans. All changes to the plans must be in writing and must be approved by the preparer of these plans.

Drawing name: H:\381094\_San Benito Measure G\_Sheets\Sheets - Southside 5000 block\381094\_SS\_ib01.dwg  
 Layout Tab: DP-1 Jun 09 2020 - 2:30pm A2020



NOTE:  
 THE CONTRACTOR MUST VERIFY ALL CONTROLLING  
 FIELD DIMENSIONS BEFORE ORDERING OR  
 FABRICATING ANY MATERIAL.

APPROVED FOR DRAINAGE WORK ONLY

SCALE: Horiz 1"=5'  
 Vert 1"=5'

Submitted by: J. CONKLIN Design Engineer C.E. No. 53183		NO.	DATE	REVISION DESCRIPTION	APPROVED
DESIGN BY: A. BEDAL	CHKD BY: J. CONKLIN	△			
DRAWN BY: A. CARDOZA	CHKD BY: A. BEDAL	△			
SPECIFICATIONS WRITTEN BY: A. BEDAL	CHKD BY: J. CONKLIN	△			

**TRC**

10680 White Rock Rd., Suite 100  
 Rancho Cordova, California 95670

REGISTERED PROFESSIONAL ENGINEER  
 JUSTINA L. GONKIN  
 No. 53183  
 Exp. 06/30/21  
 CIVIL  
 STATE OF CALIFORNIA

ORIGINAL SCALE IN INCHES  
 FOR REDUCED PLANS  
 0 1 2 3

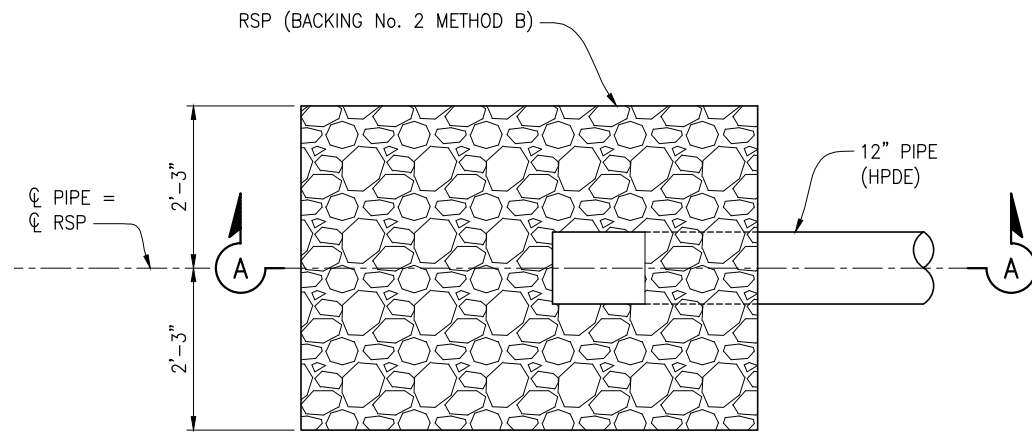
**SAN BENITO COUNTY**

ESTABLISHED 1874

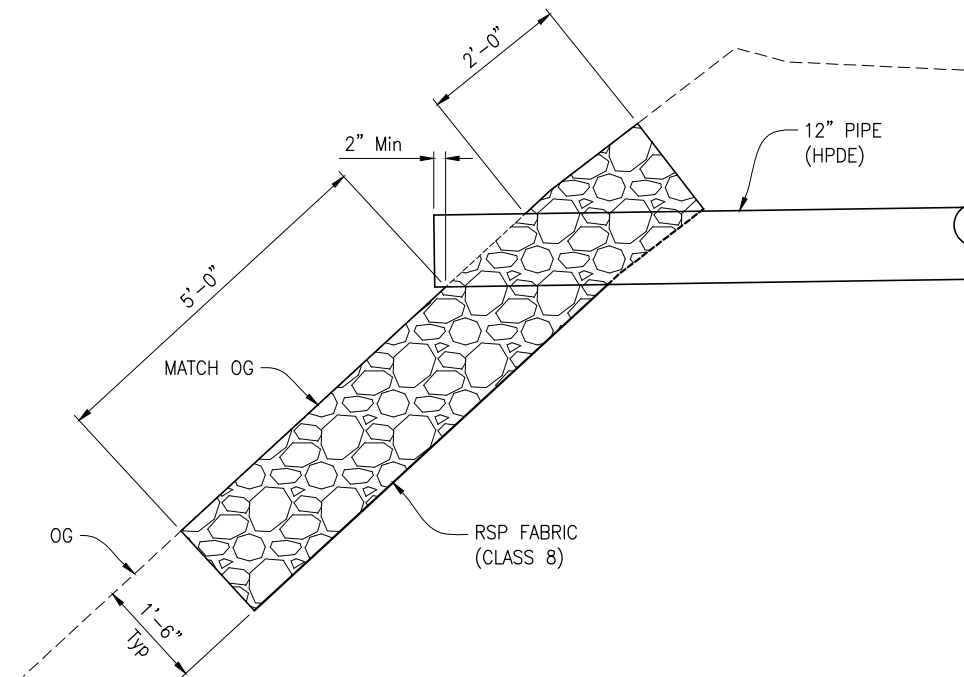
**SAN BENITO COUNTY**  
 2301 TECHNOLOGY PARKWAY,  
 HOLLISTER, CA 95023

<b>MEASURE G - SOUTHSIDE Rd 5000 BLOCK, FY 19-20</b>		<b>DRAINAGE PROFILE</b>	
DATE 06-09-20	FILE 381094_SS_ib01.dwg	SHEET DP-1	
SCALE AS SHOWN	PROJECT NO. PWB-2013	11 OF 25 SHEETS	

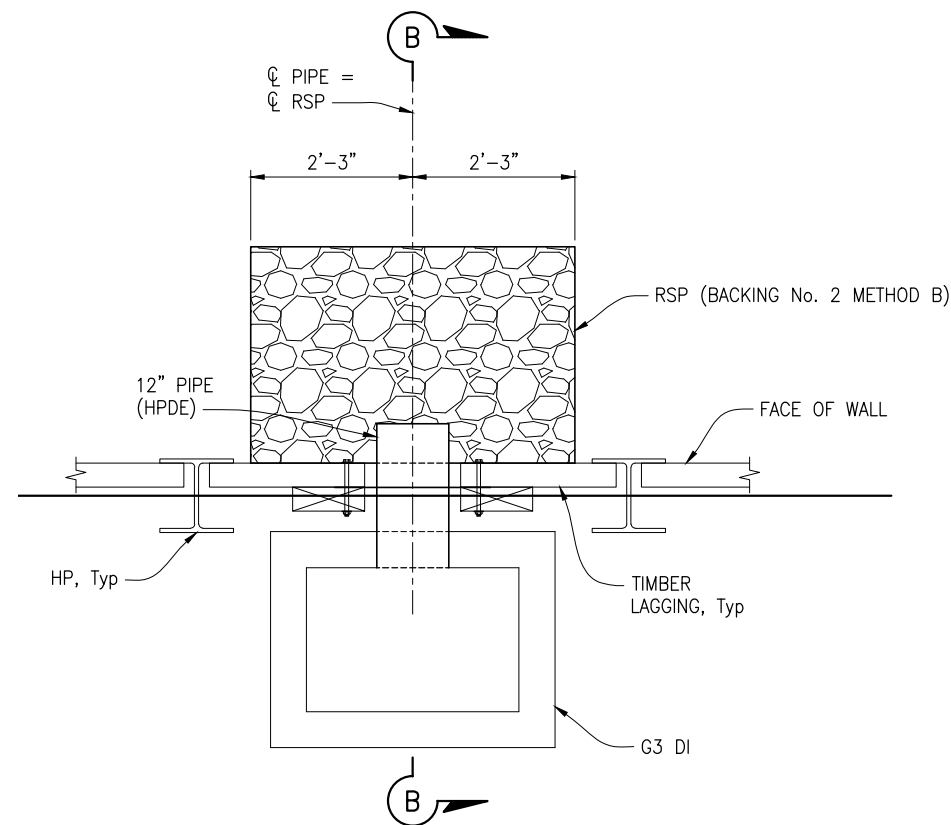
CAUTION: The Engineer preparing these plans will not be responsible for, or liable for, unauthorized changes to or uses of these plans. All changes to the plans must be in writing and must be approved by the preparer of these plans.



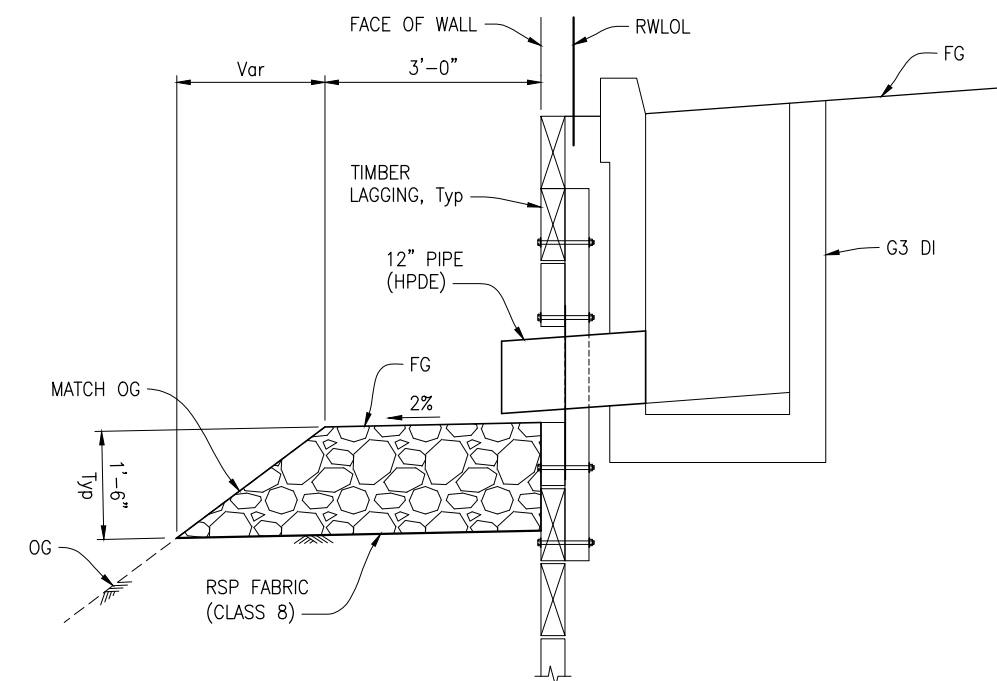
**RSP DETAIL 1**  
1 1/2"=1'-0"



**SECTION A-A**  
1 1/2"=1'-0"



**RSP DETAIL 2**  
1 1/2"=1'-0"



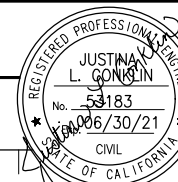
**SECTION B-B**  
1 1/2"=1'-0"

NOTE:  
THE CONTRACTOR MUST VERIFY ALL CONTROLLING  
FIELD DIMENSIONS BEFORE ORDERING OR  
FABRICATING ANY MATERIAL.

Submitted by: J. CONKLIN Design Engineer C.E. No. 53183		NO.	DATE	REVISION DESCRIPTION	APPROVED
DESIGN BY: A. BEDAL	CHKD BY: J. CONKLIN	△			
DRAWN BY: A. CARDOZA	CHKD BY: A. BEDAL	△			
SPECIFICATIONS WRITTEN BY: A. BEDAL	CHKD BY: J. CONKLIN	△			



10680 White Rock Rd., Suite 100  
Rancho Cordova, California 95670



SAN BENITO COUNTY  
2301 TECHNOLOGY PARKWAY,  
HOLLISTER, CA 95023

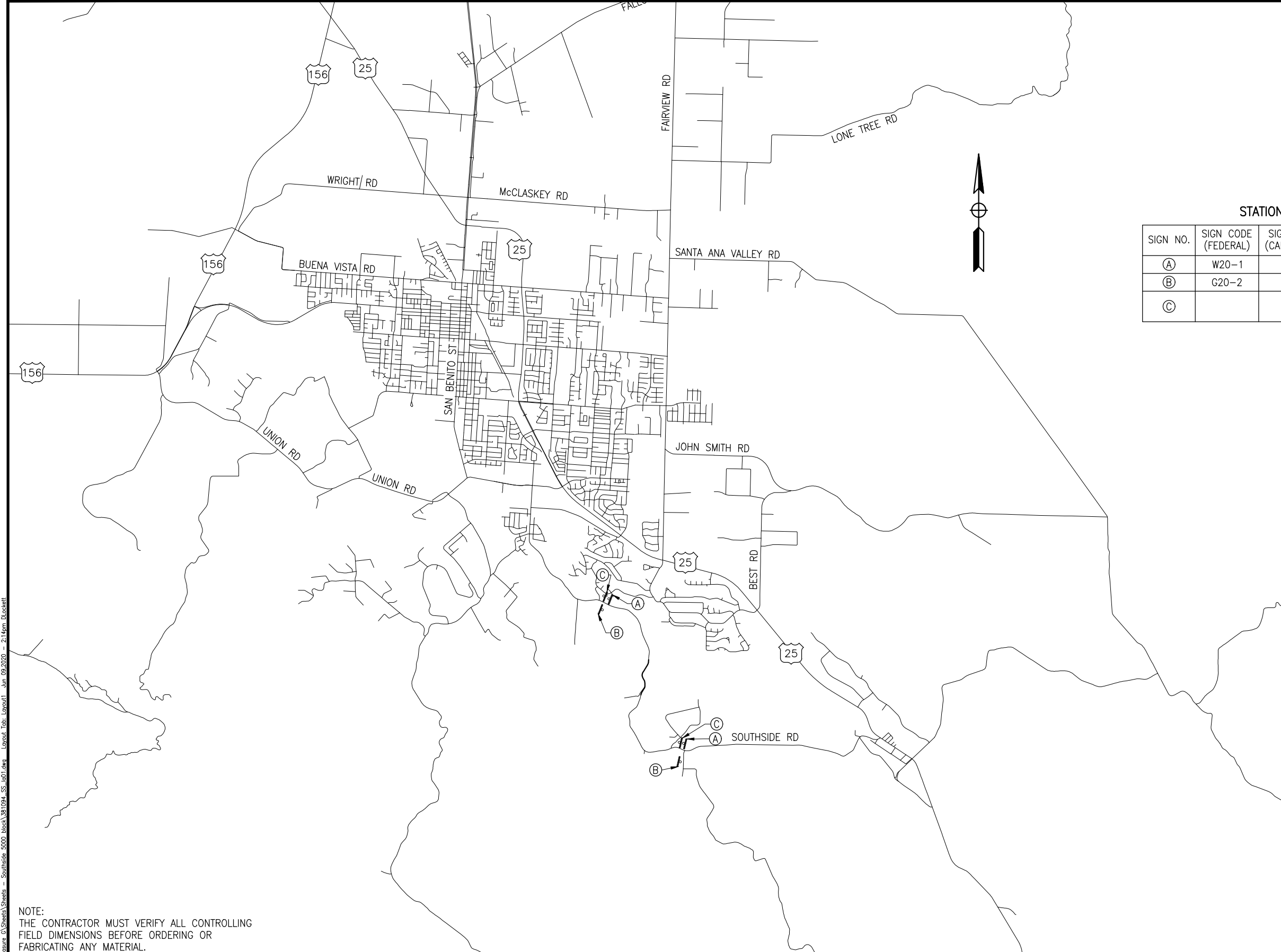
MEASURE G - SOUTHSIDE Rd 5000 BLOCK, FY 19-20

**DRAINAGE DETAILS**

DATE 06-09-20	FILE 381094_SS_ic01.dwg	SHEET DD-1
SCALE AS SHOWN	PROJECT NO. PWB-2013	12 OF 25 SHEETS

CAUTION: The Engineer preparing these plans will not be responsible for, or liable for, unauthorized changes to or uses of these plans. All changes to the plans must be in writing and must be approved by the preparer of these plans.

Drawing name: H:\381094\_San Benito Measure G\Sheets\Drawings - Southside 5000 block\381094\_SS\_ic01.dwg Layout Tab: DD-1 Jun 09 2020 - 2:34pm A2carozo



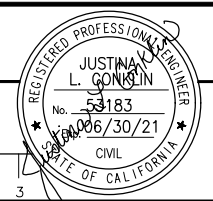
STATIONARY MOUNTED CONSTRUCTION AREA SIGNS

SIGN NO.	SIGN CODE (FEDERAL)	SIGN CODE (CALIFORNIA)	PANEL SIZE	NO. OF POST AND SIZE	SIGN MESSAGE	NO. OF SIGNS
(A)	W20-1	C23	48"x48"	1 - 4"x6"	ROAD WORK AHEAD	2
(B)	G20-2	C14	36"x18"	1 - 4"x6"	END ROAD WORK	2
(C)			96"x60"	2 - 6"x6"	COUNTY FURNISHED FUNDING SIGN	2

NOTE:  
THE CONTRACTOR MUST VERIFY ALL CONTROLLING  
FIELD DIMENSIONS BEFORE ORDERING OR  
FABRICATING ANY MATERIAL.

Submitted by: J. CONKLIN Design Engineer C.E. No. 53183		NO.	DATE	REVISION DESCRIPTION	APPROVED
DESIGN BY: A. BEDAL	CHKD BY: J. CONKLIN	▲			
DRAWN BY: D. LOCKETT	CHKD BY: A. BEDAL	▲			
SPECIFICATIONS WRITTEN BY: A. BEDAL	CHKD BY: J. CONKLIN	▲			

**TRC**  
10680 White Rock Rd., Suite 100  
Rancho Cordova, California 95670



SAN BENITO COUNTY  
2301 TECHNOLOGY PARKWAY,  
HOLLISTER, CA 95023

**MEASURE G - SOUTHSIDE Rd 5000 BLOCK, FY 19-20**

**CONSTRUCTION AREA SIGNS**

DATE 06-09-20	FILE 381094_SS_la01.dwg	SHEET CS-1
SCALE AS SHOWN	PROJECT NO. PWB-2013	13 OF 25 SHEETS


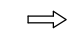

CAUTION: The Engineer preparing these plans will not be responsible for, or liable for, unauthorized changes to or uses of these plans. All changes to the plans must be in writing and must be approved by the preparer of these plans.

Drawing name: H:\381094\_San Benito Measure G\Sheets\Sheets - Southside 5000 block\381094\_SS\_la01.dwg Layout Tab Layout1 Jun 09:20:20 - 21:49m D:\cadd

**NOTES:**

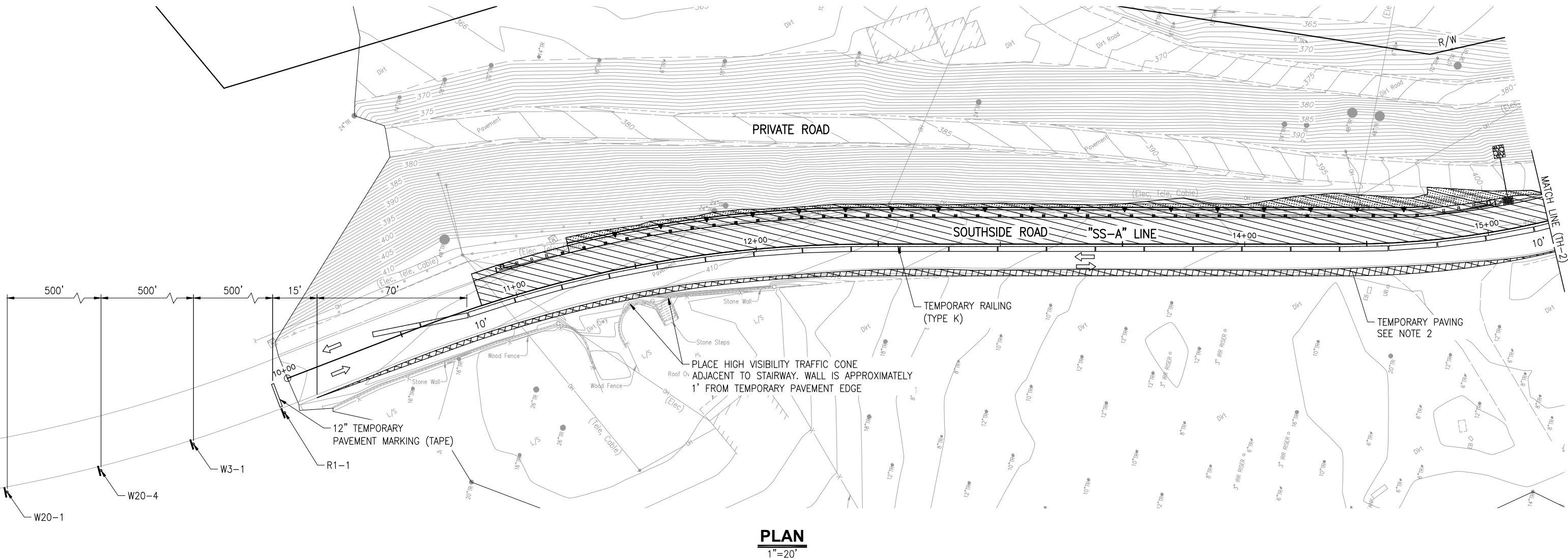
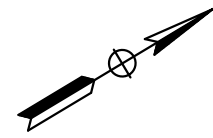
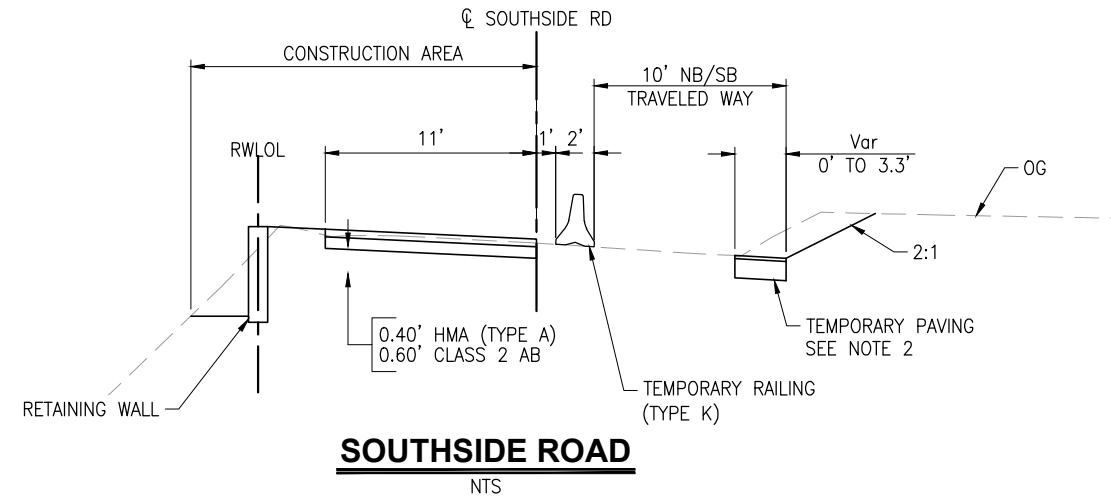
- CONTRACTOR TO MAINTAIN ACCESS TO DRIVEWAYS AT ALL TIMES DURING CONSTRUCTION.
- CONTRACTOR TO PROVIDE TEMPORARY PAVING CONSISTING OF 2" HMA (TYPE A) OVER 12" CLASS 2 AGGREGATE BASE AS SHOWN. CONTRACTOR TO REMOVE BASE AND SURFACING IN ORDER TO RESTORE AREA TO EXISTING CONDITION.

**LEGEND:**

-  CONSTRUCTION AREA
-  DIRECTION OF TRAVEL
-  TEMPORARY CRASH CUSHION

**TEMPORARY SIGN QUANTITIES**

CODE	SIGN MESSAGE	SIZE (W x H)	MOUNT	Qty
R1-1	STOP	30" x 30"	SINGLE POST	4
W3-1	STOP AHEAD	30" x 30"	SINGLE POST	4
W20-4	ONE LANE ROAD AHEAD	30" x 30"	SINGLE POST	4
W20-1	ROAD WORK AHEAD	30" x 30"	SINGLE POST	2



NOTE:  
THE CONTRACTOR MUST VERIFY ALL CONTROLLING FIELD DIMENSIONS BEFORE ORDERING OR FABRICATING ANY MATERIAL.


NO.	DATE	REVISION DESCRIPTION	APPROVED

Submitted by: J. CONKLIN  
Design Engineer C.E. No. 53183

DESIGN BY: A. BEDAL      CHKD BY: J. CONKLIN

DRAWN BY: N. HERNANDEZ      CHKD BY: A. BEDAL

SPECIFICATIONS WRITTEN BY: A. BEDAL      CHKD BY: J. CONKLIN

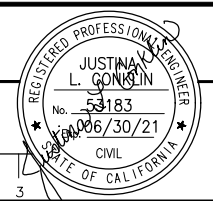



**TRC**

10680 White Rock Rd., Suite 100  
Rancho Cordova, California 95670

ORIGINAL SCALE IN INCHES FOR REDUCED PLANS

0 1 2 3

**SAN BENITO COUNTY**

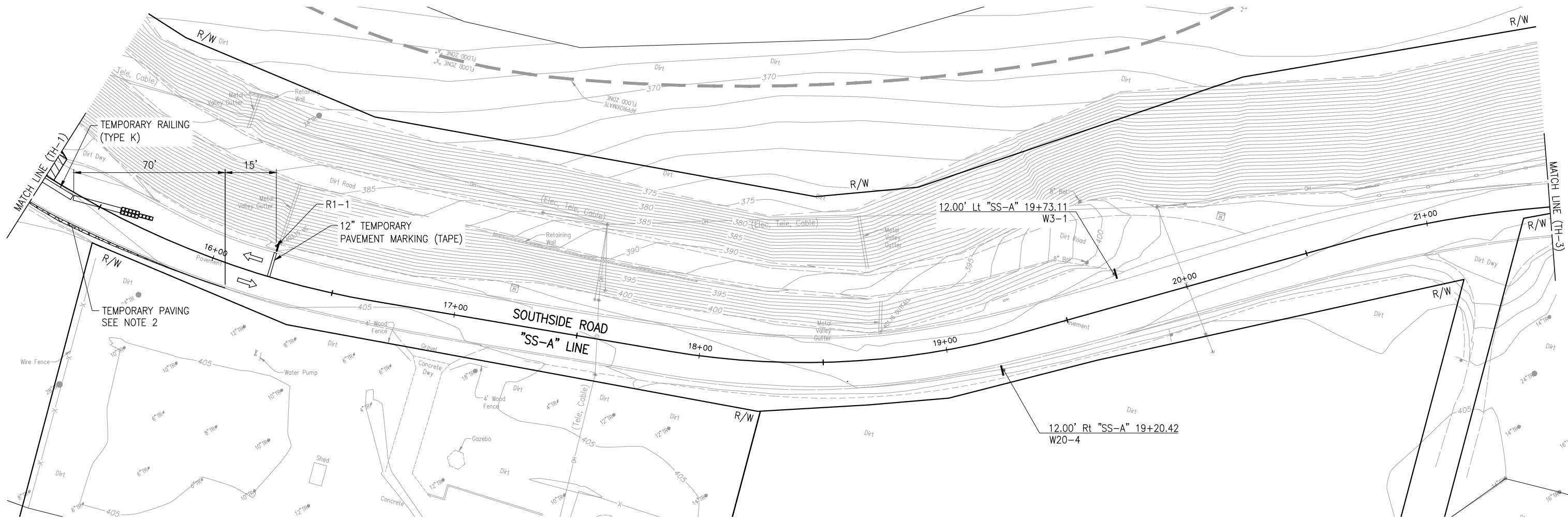
2301 TECHNOLOGY PARKWAY,  
HOLLISTER, CA 95023

**MEASURE G - SOUTHSIDE Rd 5000 BLOCK, FY 19-20**

**TRAFFIC HANDLING PLAN**

DATE 06-09-20	FILE 381094_SS_md01.dwg	SHEET TH-1
SCALE AS SHOWN	PROJECT NO. PWB-2013	14 OF 25 SHEETS

Drawing name: H:\381094\_San Benito Measure G\Sheets\Sheets - Southside 5000 block\381094\_SS\_md01.dwg Layout Tab: TH-1 Jun 09 2020 - 2:53pm Colorado



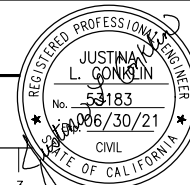
**PLAN**  
1"=20'

NOTE:  
THE CONTRACTOR MUST VERIFY ALL CONTROLLING  
FIELD DIMENSIONS BEFORE ORDERING OR  
FABRICATING ANY MATERIAL.

Submitted by: J. CONKLIN Design Engineer C.E. No. 53183		NO.	DATE	REVISION DESCRIPTION	APPROVED
DESIGN BY: A. BEDAL	CHKD BY: J. CONKLIN	▲			
DRAWN BY: N. HERNANDEZ	CHKD BY: A. BEDAL	▲			
SPECIFICATIONS WRITTEN BY: A. BEDAL	CHKD BY: J. CONKLIN	▲			



10680 White Rock Rd., Suite 100  
Rancho Cordova, California 95670



SAN BENITO COUNTY  
2301 TECHNOLOGY PARKWAY,  
HOLLISTER, CA 95023

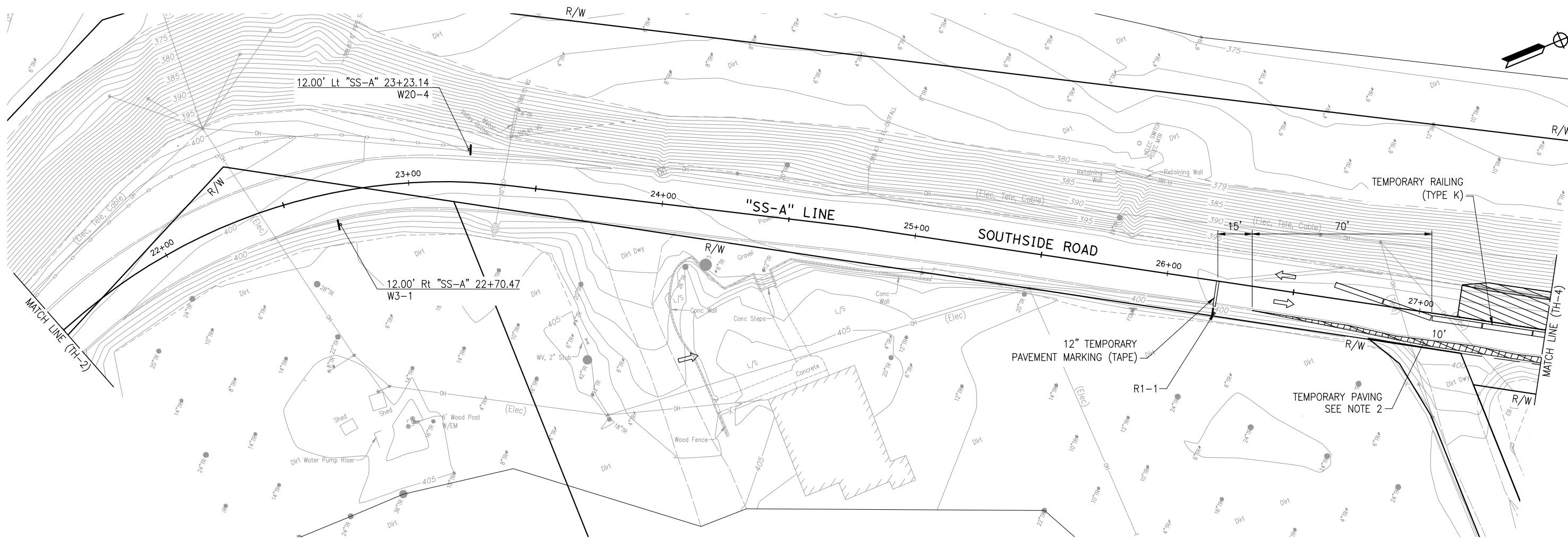
**MEASURE G - SOUTHSIDE Rd 5000 BLOCK, FY 19-20**

**TRAFFIC HANDLING PLAN**

DATE 06-09-20	FILE 381094_SS_md01.dwg	SHEET TH-2
SCALE AS SHOWN	PROJECT NO. PWB-2013	15 OF 25 SHEETS

CAUTION: The Engineer preparing these plans will not be responsible for, or liable for, unauthorized changes to or uses of these plans. All changes to the plans must be in writing and must be approved by the preparer of these plans.

Drawing name: H:\381094\_San Benito Measure G\Sheets\Sheets - Southside - 5000 block\381094\_SS\_md01.dwg Layout Tab: TH-2 Jun 09 2020 - 2:55pm Colorado



**PLAN**  
1"=20'

NOTE:  
THE CONTRACTOR MUST VERIFY ALL CONTROLLING  
FIELD DIMENSIONS BEFORE ORDERING OR  
FABRICATING ANY MATERIAL.

Submitted by: J. CONKLIN Design Engineer C.E. No. 53183		NO.	DATE	REVISION DESCRIPTION	APPROVED
DESIGN BY: A. BEDAL	CHKD BY: J. CONKLIN	△			
DRAWN BY: N. HERNANDEZ	CHKD BY: A. BEDAL	△			
SPECIFICATIONS WRITTEN BY: A. BEDAL	CHKD BY: J. CONKLIN	△			

**TRC**

10680 White Rock Rd., Suite 100  
Rancho Cordova, California 95670

REGISTERED PROFESSIONAL ENGINEER  
JUSTINA L. GONZALEZ  
No. 53183  
06/30/21  
CIVIL  
STATE OF CALIFORNIA

**SAN BENITO COUNTY**

SAN BENITO COUNTY  
2301 TECHNOLOGY PARKWAY,  
HOLLISTER, CA 95023

**MEASURE G - SOUTHSIDE Rd 5000 BLOCK, FY 19-20**

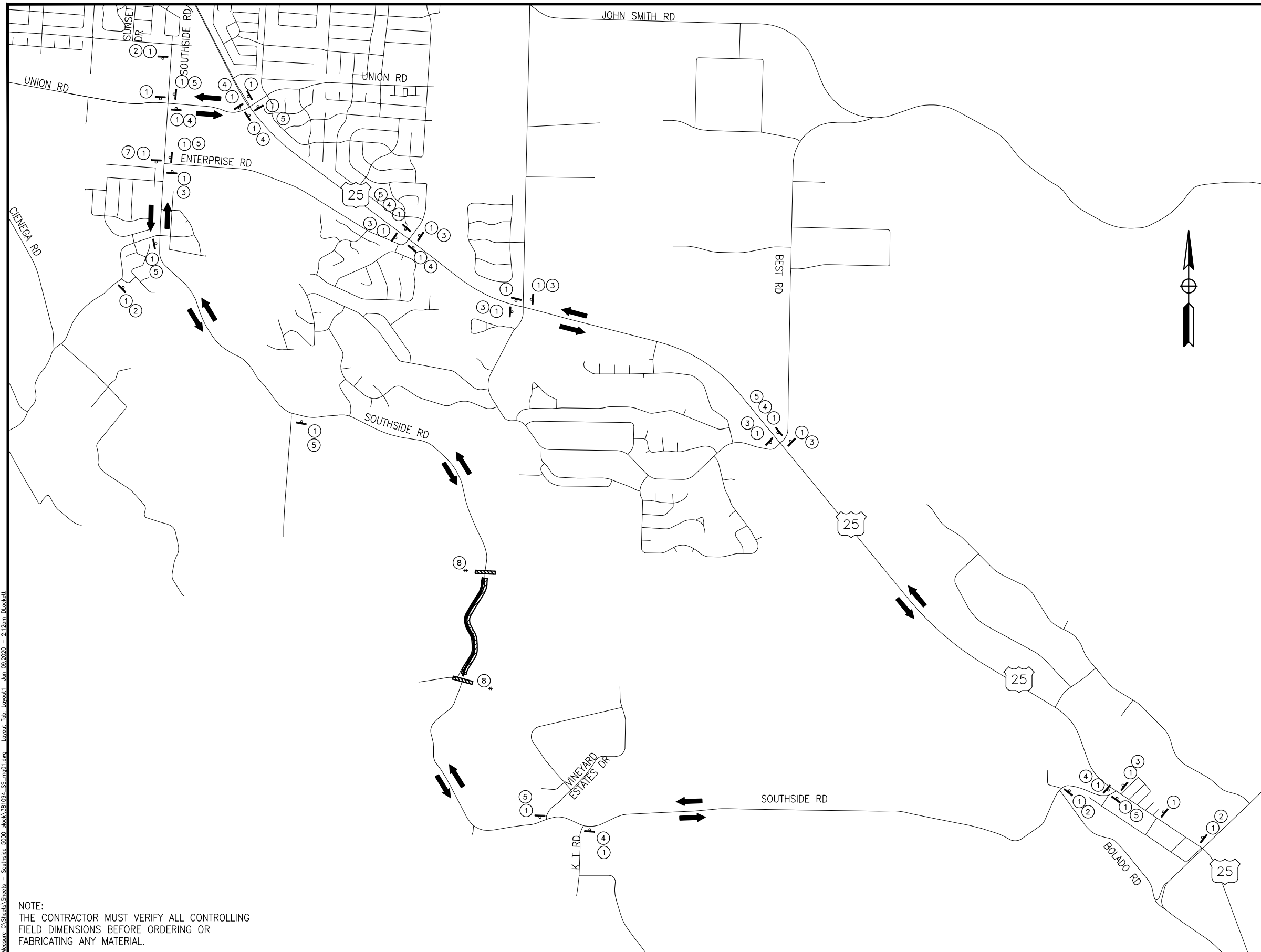
**TRAFFIC HANDLING PLAN PLAN**

DATE 06-09-20	FILE 381094_SS_md01.dwg	SHEET TH-3
SCALE AS SHOWN	PROJECT NO. PWB-2013	16 OF 25 SHEETS

CAUTION: The Engineer preparing these plans will not be responsible for, or liable for, unauthorized changes to or uses of these plans. All changes to the plans must be in writing and must be approved by the preparer of these plans.

Drawing name: H:\381094\_San Benito Measure G\Sheets\Sheets - Southside 5000 block\381094\_SS\_md01.dwg Layout Tab: TH-3 Jun 09 2020 - 2:57pm kcoronado





**NOTES:**

1. LOCATIONS OF CONSTRUCTION AREA SIGNS SHOWN ARE APPROXIMATE. EXACT LOCATIONS WILL BE DETERMINED BY THE ENGINEER.
2. ALL SIGNS TO BE STATIONARY MOUNTED
3. ACCESS TO DRIVEWAYS TO REMAIN OPEN DURING CONSTRUCTION.

**LEGEND:**

- WORK LOCATION
- INDICATES DIRECTION OF DETOUR TRAFFIC
- CONSTRUCTION AREA SIGN
- TYPE III BARRICADE

**CONSTRUCTION AREA SIGNS**

SIGN No.	SIGN CODE	SIGN MESSAGE	EA	PANEL SIZE
①	CUSTOM	SOUTHSIDE RD CLOSED AT BLOSSOM LN INTERSECTON	31	80"x32"
②	W20-2	DETOUR AHEAD	4	36"x36"
③	SC9(CA)	DETOUR ↑	8	36"x36"
④	M4-9R	DETOUR (RIGHT)	7	30"x24"
⑤	M4-9L	DETOUR (LEFT)	7	30"x24"
⑥	CUSTOM	SOUTHSIDE ROAD	x	48"x24"
⑦	G20-2	END ROAD WORK	2	36"x18"
	M4-8a	END DETOUR	2	24"x18"
⑧*	R11-2	ROAD CLOSED	2	48"x30"

\* TO BE MOUNTED ON TYPE III BARRICADES EXTENDING THE WIDTH OF THE ROADWAY PER CALIFORNIA MUTCD 2012, SECTIONS 6F.08, 6F.59 & 6F.68.

NOTE:  
THE CONTRACTOR MUST VERIFY ALL CONTROLLING FIELD DIMENSIONS BEFORE ORDERING OR FABRICATING ANY MATERIAL.

Submitted by:	NO.	DATE	REVISION DESCRIPTION	APPROVED
J. CONKLIN Design Engineer C.E. No. 53183	△			
DESIGN BY: A. BEDAL CHKD BY: J. CONKLIN	△			
DRAWN BY: D. LOCKETT CHKD BY: A. BEDAL	△			
SPECIFICATIONS WRITTEN BY: A. BEDAL CHKD BY: J. CONKLIN	△			

**TRC**

10680 White Rock Rd., Suite 100  
Rancho Cordova, California 95670

REGISTERED PROFESSIONAL ENGINEER  
JUSTIN L. GONSLIN  
No. 53183  
06/30/21  
CIVIL  
STATE OF CALIFORNIA

**SAN BENITO COUNTY**

2301 TECHNOLOGY PARKWAY,  
HOLLISTER, CA 95023

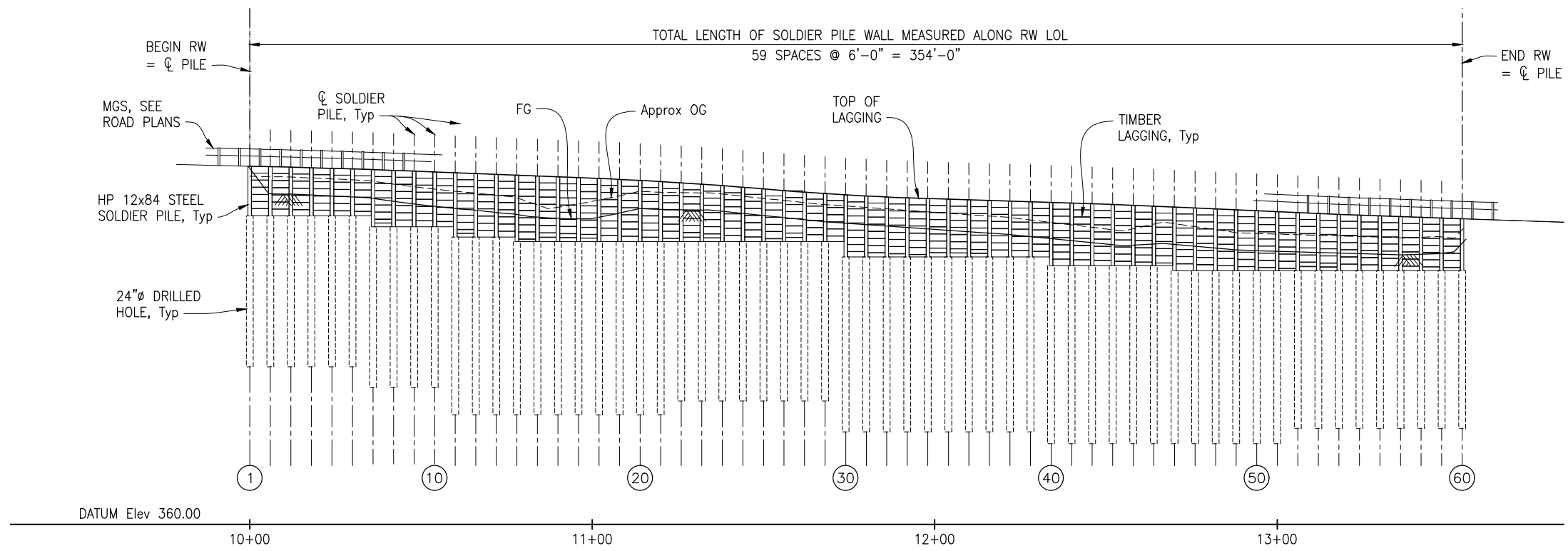
**MEASURE G - SOUTHSIDE Rd 5000 BLOCK, FY 19-20**

**DETOUR PLAN**

DATE 06-09-20	FILE 381094_SS_mg01.dwg	SHEET DE-1
SCALE AS SHOWN	PROJECT NO. PWB-2013	18 OF 25 SHEETS

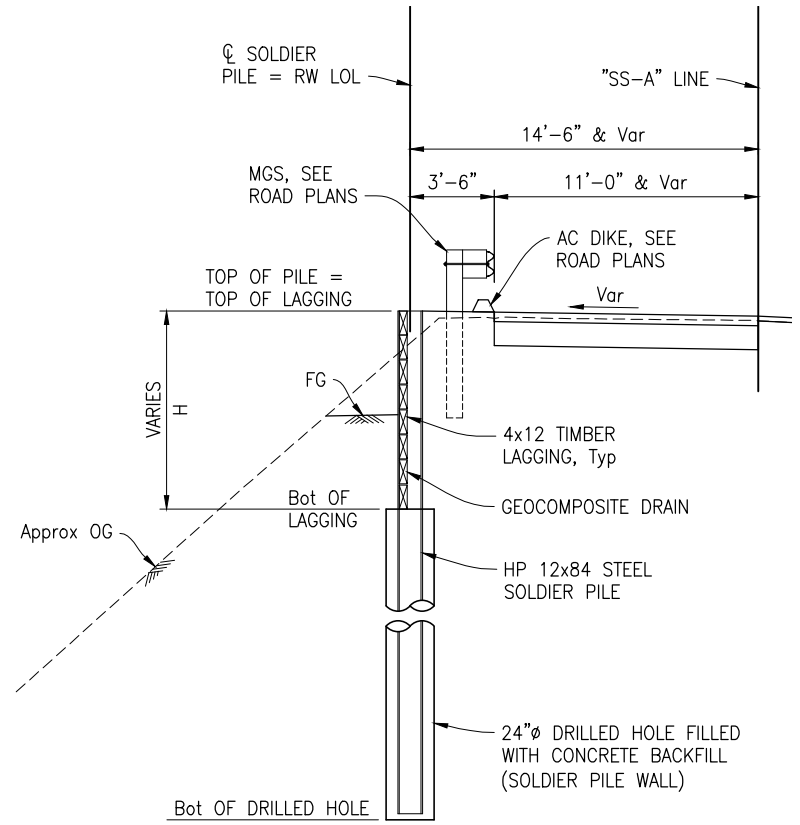
Drawing name: H:\381094\_San Benito Measure G\Sheets\Sheets - Southside 5000 block\381094\_SS\_mg01.dwg Layout Tab: Layout1 Jun 09/2020 - 2:15pm D.Lockett

CAUTION: The Engineer preparing these plans will not be responsible for, or liable for, unauthorized changes to or uses of these plans. All changes to the plans must be in writing and must be approved by the preparer of these plans.



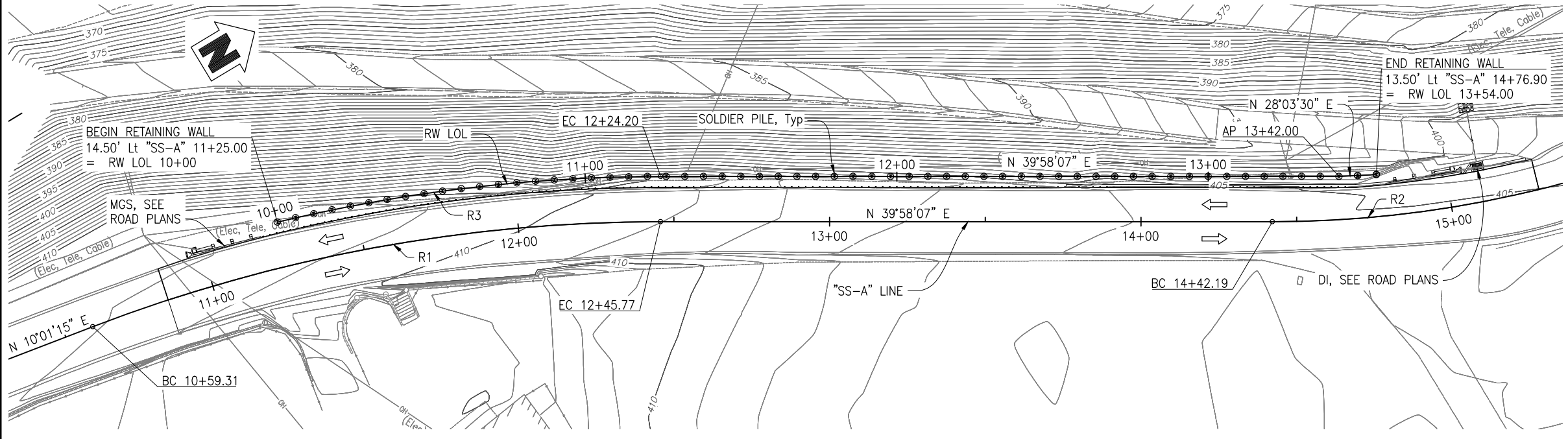
**DEVELOPED MIRRORED ELEVATION**

Horiz: 1"=20'  
Vert: 1"=10'



**TYPICAL SECTION**

1/4"=1'-0"



**PLAN**

1"=20'

R1 CURVE DATA	R2 CURVE DATA	R3 CURVE DATA
R=510.00"	R=360.00"	R=524.50"
Δ=20°56'52"	Δ=35°50'49"	Δ=13°33'09"
T=94.28'	T=116.44'	T=61.93'
L=186.46'	L=225.23'	L=124.20'

**NOTES:**

- OG contours shown, for FG contours, see ROAD PLANS.
- See "SOLDIER PILE DATA TABLES" sheet for elevations.

**LEGEND:**

- ← Indicates Direction of Traffic
- # Indicates Pile Number

**QUANTITIES**

STRUCTURE EXCAVATION (SOLDIER PILE WALL)	119	CY
STRUCTURE BACKFILL (SOLDIER PILE WALL)	95	CY
CONCRETE BACKFILL (SOLDIER PILE WALL)	170	CY
LEAN CONCRETE BACKFILL	50	CY
STEEL SOLDIER PILE (HP 12x84)	1950	LF
24" DRILLED HOLE	1885	LF
TIMBER LAGGING	11	MFMB
CLEAN AND PAINT STEEL SOLDIER PILING	1	LS

NOTE:  
THE CONTRACTOR MUST VERIFY ALL CONTROLLING FIELD DIMENSIONS BEFORE ORDERING OR FABRICATING ANY MATERIAL.

Submitted by: J. CONKLIN Design Engineer C.E. No. 53183	NO.	DATE	REVISION DESCRIPTION	APPROVED
DESIGN BY: R. YATES	△			
CHKD BY: G. ANGEL	△			
DRAWN BY: G. IMBSEN	△			
CHKD BY: G. ANGEL	△			
SPECIFICATIONS WRITTEN BY: T. LAMBERT	△			
CHKD BY: C. PINKERTON	△			

**TRC**

10680 White Rock Rd., Suite 100  
Rancho Cordova, California 95670

REGISTERED PROFESSIONAL ENGINEER  
TODD J. LAMBERT  
44818  
Exp. 03/31/22  
CIVIL  
STATE OF CALIFORNIA

**SAN BENITO COUNTY**

2301 TECHNOLOGY PARKWAY,  
HOLLISTER, CA 95023

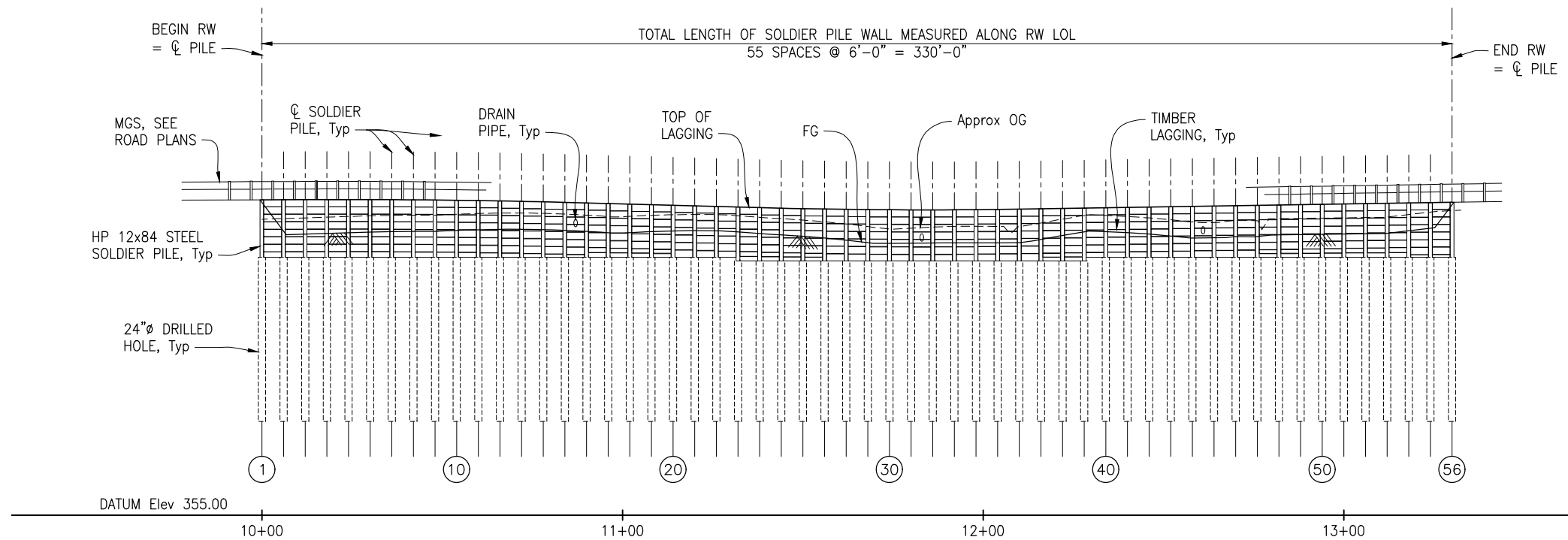
**MEASURE G - SOUTHSIDE Rd 5000 BLOCK, FY 19-20**

**GENERAL PLAN**

**SOLDIER PILE WALL No. 11**

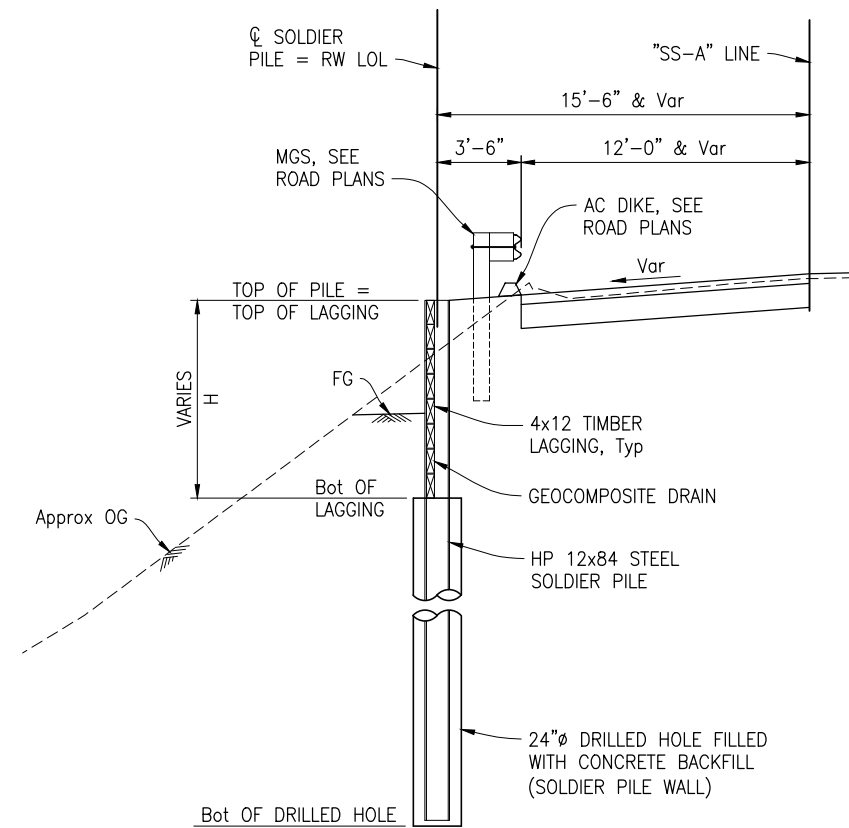
DATE 06-09-20	FILE 381094_a-gp_11.dwg	SHEET S-1
SCALE AS SHOWN	PROJECT NO. PWB-2013	19 OF 25 SHEETS

CAUTION: The Engineer preparing these plans will not be responsible for, or liable for, unauthorized changes to or uses of these plans. All changes to the plans must be in writing and must be approved by the preparer of these plans.



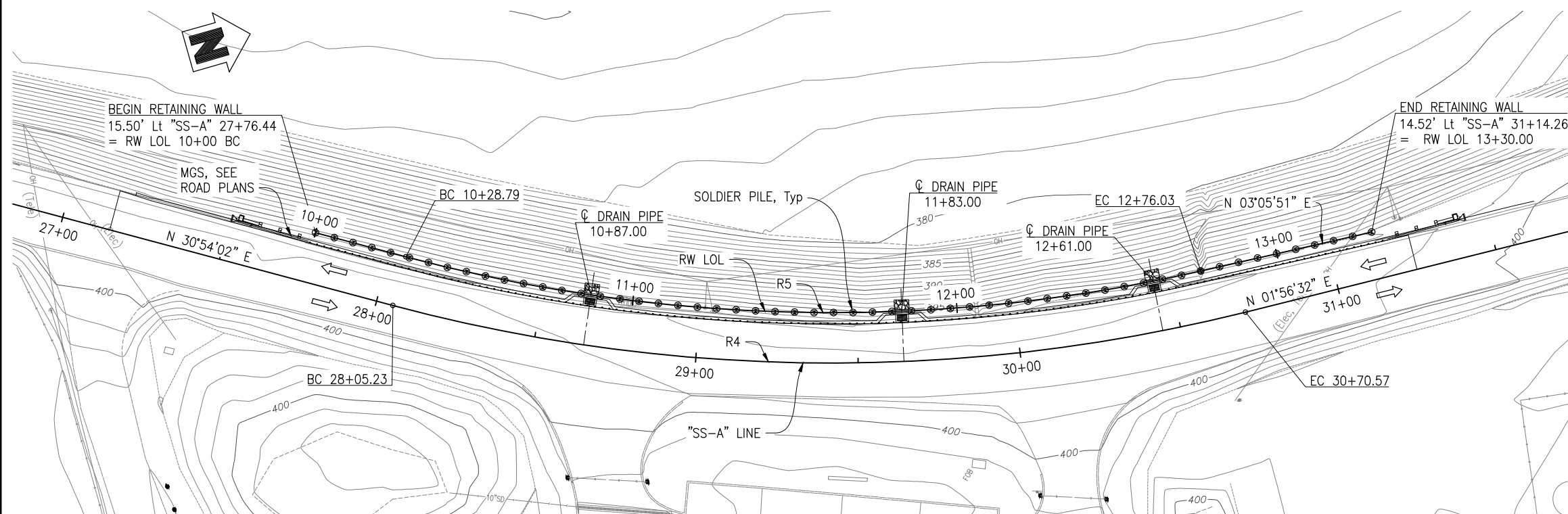
**DEVELOPED MIRRORED ELEVATION**

Horiz: 1"=20'  
Vert: 1"=10'



**TYPICAL SECTION**

1/4"=1'-0"



**PLAN**

1"=20'

**R4 CURVE DATA**

R=525.00"  
Δ=28°57'30"  
T=135.57'  
L=265.34'

**R5 CURVE DATA**

R=509.50"  
Δ=27°48'12"  
T=126.10'  
L=247.24'

**NOTES:**

- OG contours shown, for FG contours, see ROAD PLANS.
- See "SOLDIER PILE DATA TABLES" sheet for elevations.

**LEGEND:**

- ← Indicates Direction of Traffic
- # Indicates Pile Number

**QUANTITIES**

STRUCTURE EXCAVATION (SOLDIER PILE WALL)	105	CY
STRUCTURE BACKFILL (SOLDIER PILE WALL)	73	CY
CONCRETE BACKFILL (SOLDIER PILE WALL)	148	CY
LEAN CONCRETE BACKFILL	44	CY
STEEL SOLDIER PILE (HP 12x84)	1668	LF
24" DRILLED HOLE	1637	LF
TIMBER LAGGING	9	MFBM
CLEAN AND PAINT STEEL SOLDIER PILING	1	LS

NOTE:  
THE CONTRACTOR MUST VERIFY ALL CONTROLLING FIELD DIMENSIONS BEFORE ORDERING OR FABRICATING ANY MATERIAL.

Submitted by: J. CONKLIN Design Engineer C.E. No. 53183	NO.	DATE	REVISION DESCRIPTION	APPROVED
DESIGN BY: G. ANGEL	Δ			
CHKD BY: C. PINKERTON	Δ			
DRAWN BY: G. IMBSEN	Δ			
CHKD BY: G. ANGEL	Δ			
SPECIFICATIONS WRITTEN BY: T. LAMBERT	Δ			
CHKD BY: C. PINKERTON	Δ			

**TRC**

10680 White Rock Rd., Suite 100  
Rancho Cordova, California 95670

ORIGINAL SCALE IN INCHES FOR REDUCED PLANS

0 1 2 3

REGISTERED PROFESSIONAL ENGINEER  
TODD J. LAMBERT  
44818  
Exp. 03/31/22  
CIVIL  
STATE OF CALIFORNIA

**SAN BENITO COUNTY**

2301 TECHNOLOGY PARKWAY,  
HOLLISTER, CA 95023

**MEASURE G - SOUTHSIDE Rd 5000 BLOCK, FY 19-20**

**GENERAL PLAN**

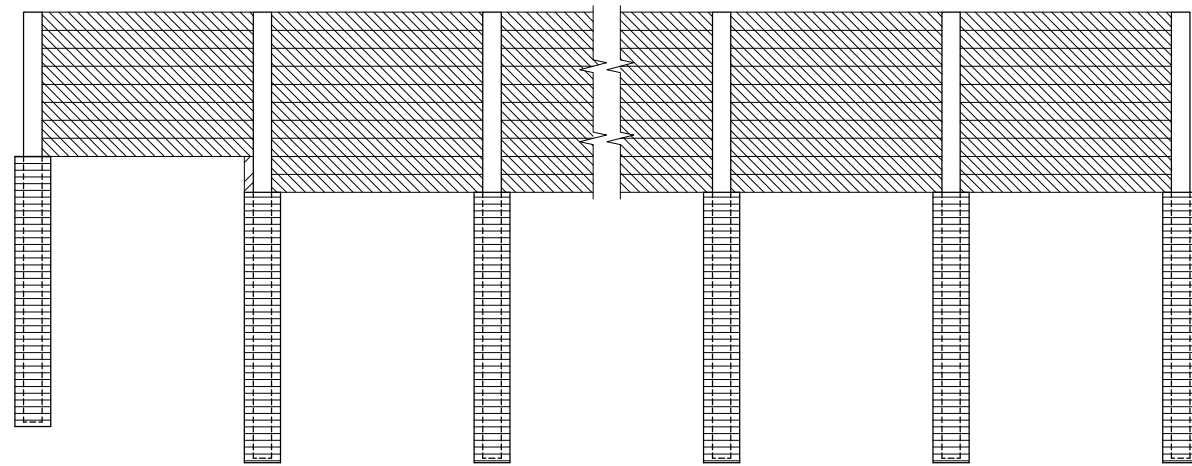
**SOLDIER PILE WALL No. 27**

DATE 06-09-20	FILE 381094_a-gp_27.dwg	SHEET S-2
SCALE AS SHOWN	PROJECT NO. PWB-2013	20 OF 25 SHEETS

Drawing name: H:\381094\_San Benito Measure G\Structures\381094\_a-gp\_27.dwg Layout Tab: RW27 gp Jun 09/2020 - 12:23pm qimben

### INDEX TO PLANS

SHEET NO.	TITLE
S-1	GENERAL PLAN - SOLDIER PILE WALL No. 11
S-2	GENERAL PLAN - SOLDIER PILE WALL No. 27
S-3	SOLDIER PILE DATA TABLES
S-4	EXCAVATION AND BACKFILL DETAILS
S-5	CANTILEVER SOLDIER PILE WALL DETAILS
S-6	SOLDIER PILE WALL LAGGING DETAILS
S-7	DRAIN PIPE BLOCKOUT DETAILS



- TIMBER LAGGING
- CONCRETE BACKFILL, SOLDIER PILE WALL
- LEAN CONCRETE BACKFILL

### MATERIAL TYPE LIMITS

NO SCALE

NOTE:  
THE CONTRACTOR MUST VERIFY ALL CONTROLLING  
FIELD DIMENSIONS BEFORE ORDERING OR  
FABRICATING ANY MATERIAL.

### SOLDIER PILE DATA TABLE - RW No. 11

Pile No.	Station Along RW LOL	Top of Pile Elev (ft)	24" Dia. Drilled Hole		
			Bottom Elev (ft)	Bot of Lagging (ft)	Approx Top Elev (ft)
1	10+00	412.25	383.00	405.00	411.85
2	10+06	412.18	383.00	405.00	411.81
3	10+12	412.11	383.00	405.00	411.75
4	10+18	412.03	383.00	405.00	411.62
5	10+24	411.94	383.00	405.00	411.49
6	10+30	411.85	383.00	405.00	411.34
7	10+36	411.75	380.00	403.42	411.14
8	10+42	411.54	380.00	403.42	411.22
9	10+48	411.53	380.00	403.42	410.33
10	10+54	411.42	380.00	403.42	409.98
11	10+60	411.30	376.00	401.92	409.64
12	10+66	411.18	376.00	401.92	409.40
13	10+72	411.06	376.00	401.92	408.79
14	10+78	410.94	376.00	401.25	408.74
15	10+84	410.82	376.00	401.25	407.68
16	10+90	410.70	376.00	401.25	407.35
17	10+96	410.58	376.00	401.25	407.84
18	11+02	410.45	376.00	401.25	408.40
19	11+08	410.32	376.00	401.25	409.02
20	11+14	410.17	376.00	401.25	409.66
21	11+20	410.01	376.00	401.25	409.54
22	11+26	409.82	378.00	401.25	409.47
23	11+32	409.63	378.00	401.25	409.43
24	11+38	409.41	378.00	401.25	409.26
25	11+44	409.18	378.00	401.25	408.95
26	11+50	408.93	378.00	401.25	408.64
27	11+56	408.69	378.00	401.25	408.33
28	11+62	408.46	378.00	401.25	408.02
29	11+68	408.26	378.00	401.25	407.73
30	11+74	408.07	373.50	399.00	407.52
31	11+80	407.91	373.50	399.00	407.31
32	11+86	407.76	373.50	399.00	407.10
33	11+92	407.63	373.50	399.00	406.89
34	11+98	407.53	373.50	399.00	406.68
35	12+04	407.44	373.50	399.00	406.47
36	12+10	407.35	373.50	399.00	406.26
37	12+16	407.26	373.50	399.00	406.06
38	12+22	407.17	373.50	399.00	405.84
39	12+28	407.07	373.50	399.00	405.49
40	12+34	406.98	371.75	397.75	405.13
41	12+40	406.88	371.75	397.75	404.78
42	12+46	406.77	371.75	397.75	404.42
43	12+52	406.66	371.75	397.75	404.07
44	12+58	406.54	371.75	397.75	404.21
45	12+64	406.42	371.75	397.75	404.88
46	12+70	406.29	371.75	397.00	404.94
47	12+76	406.16	371.75	397.00	404.51
48	12+82	406.03	371.75	397.00	404.08
49	12+88	405.89	371.75	397.00	403.65
50	12+94	405.76	371.75	397.00	403.52
51	13+00	405.62	371.75	397.00	403.42
52	13+06	405.49	374.00	397.00	403.34
53	13+12	405.35	374.00	397.00	403.25
54	13+18	405.22	374.00	397.00	403.16
55	13+24	405.11	374.00	397.00	403.07
56	13+30	405.01	374.00	397.00	402.98
57	13+36	404.90	374.00	397.00	402.89
58	13+42	404.80	374.00	397.00	402.97
59	13+48	404.70	374.00	397.00	403.00
60	13+54	404.59	374.00	397.00	404.14

### SOLDIER PILE DATA TABLE - RW No. 27

Pile No.	Station Along RW LOL	Top of Pile Elev (ft)	24" Dia. Drilled Hole		
			Bottom Elev (ft)	Bot of Lagging Elev (ft)	Approx Top Elev (ft)
1	10+00	398.74	368.00	390.75	397.11
2	10+06	398.75	368.00	390.75	397.21
3	10+12	398.76	368.00	390.75	397.30
4	10+18	398.77	368.00	390.75	397.40
5	10+24	398.77	368.00	390.75	397.50
6	10+30	398.76	368.00	390.75	397.59
7	10+36	398.75	368.00	390.75	397.66
8	10+42	398.73	368.00	390.75	397.69
9	10+48	398.70	368.00	390.75	397.69
10	10+54	398.67	368.00	390.75	397.81
11	10+60	398.62	368.00	390.75	397.91
12	10+66	398.57	368.00	390.75	397.96
13	10+72	398.51	368.00	390.75	397.96
14	10+78	398.45	368.00	390.75	397.92
15	10+84	398.37	368.00	390.75	397.83
16	10+90	398.30	368.00	390.75	397.69
17	10+96	398.21	368.00	390.75	397.48
18	11+02	398.13	368.00	390.75	397.51
19	11+08	398.05	368.00	390.75	397.65
20	11+14	397.97	368.00	390.75	397.74
21	11+20	397.89	368.00	390.75	397.77
22	11+26	397.81	368.00	390.75	397.75
23	11+32	397.73	368.00	390.25	397.61
24	11+38	397.65	368.00	390.25	397.39
25	11+44	397.57	368.00	390.25	397.19
26	11+50	397.51	368.00	390.25	397.00
27	11+56	397.45	368.00	390.25	396.76
28	11+62	397.41	368.00	390.25	396.46
29	11+68	397.38	368.00	390.25	396.10
30	11+74	397.35	368.00	390.25	395.75
31	11+80	397.34	368.00	390.25	395.88
32	11+86	397.34	368.00	390.25	396.02
33	11+92	397.35	368.00	390.25	396.11
34	11+98	397.36	368.00	390.25	396.15
35	12+04	397.39	368.00	390.25	396.12
36	12+10	397.43	368.00	390.25	396.10
37	12+16	397.48	368.00	390.25	396.59
38	12+22	397.52	368.00	390.25	397.14
39	12+28	397.57	368.00	390.25	397.64
40	12+34	397.62	368.00	390.75	397.65
41	12+40	397.67	368.00	390.75	397.51
42	12+46	397.72	368.00	390.75	397.30
43	12+52	397.76	368.00	390.75	397.04
44	12+58	397.81	368.00	390.75	396.74
45	12+64	397.86	368.00	390.75	396.66
46	12+70	397.91	368.00	390.75	396.96
47	12+76	397.96	368.00	390.75	396.91
48	12+82	398.00	368.00	390.75	397.19
49	12+88	398.05	368.00	390.75	397.23
50	12+94	398.10	368.00	390.75	397.27
51	13+00	398.15	368.00	390.75	397.21
52	13+06	398.20	368.00	390.75	397.35
53	13+12	398.24	368.00	390.75	397.42
54	13+18	398.29	368.00	390.75	397.77
55	13+24	398.34	368.00	390.75	398.12
56	13+30	398.39	368.00	390.75	398.32

Drawing name: H:\381094\_San Benito Measure G\Structures\381094\_a-itp\_11-27.dwg Layout Tab: RW11 GP Jun 09 2020 12:55pm ajmbisen

Submitted by: J. CONKLIN Design Engineer C.E. No. 53183	NO.	DATE	REVISION DESCRIPTION	APPROVED
DESIGN BY: G. ANGEL CHKD BY: C. PINKERTON	△			
DRAWN BY: G. IMBSEN CHKD BY: G. ANGEL	△			
SPECIFICATIONS WRITTEN BY: T. LAMBERT CHKD BY: C. PINKERTON	△			

10680 White Rock Rd., Suite 100  
Rancho Cordova, California 95670

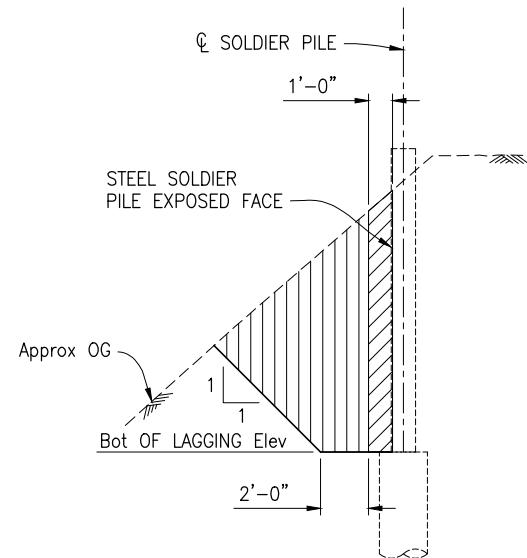
**SAN BENITO COUNTY**  
2301 TECHNOLOGY PARKWAY,  
HOLLISTER, CA 95023

**MEASURE G - SOUTHSIDE Rd 5000 BLOCK, FY 19-20**

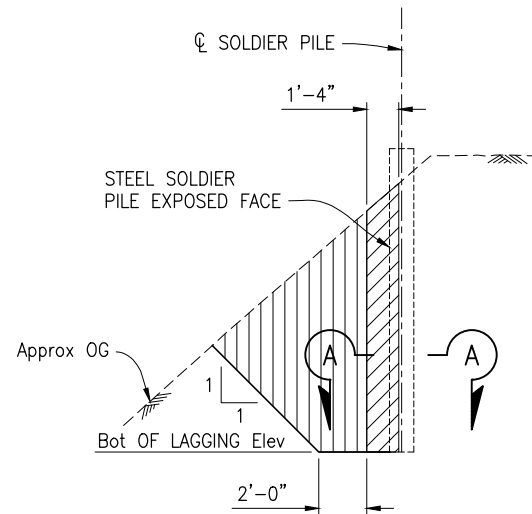
**SOLDIER PILE DATA TABLES**

DATE: 06-09-20	FILE: 381094_a-itp_11-27.dwg	SHEET <b>S-3</b> 21 OF 25 SHEETS
SCALE: AS SHOWN	PROJECT NO: PWB-2013	

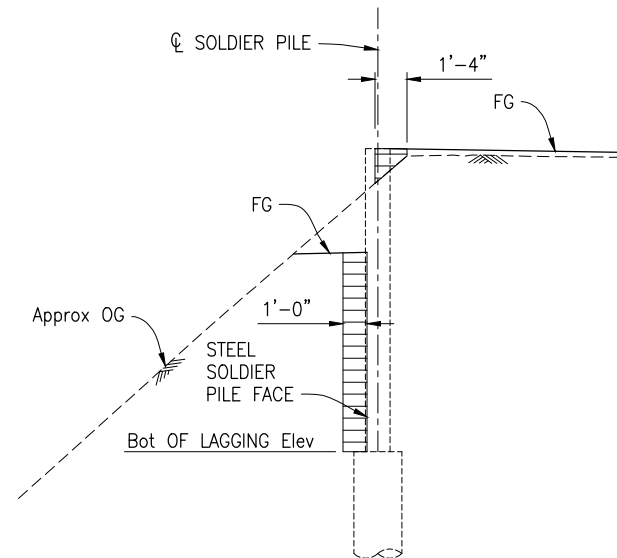
CAUTION: The Engineer preparing these plans will not be responsible for, or liable for, unauthorized changes to or uses of these plans. All changes to the plans must be in writing and must be approved by the preparer of these plans.



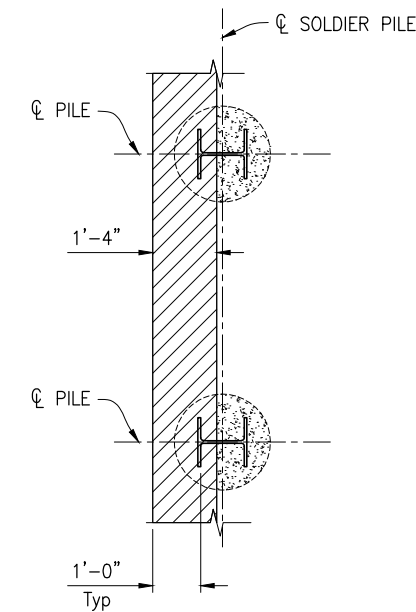
**AT PILES**



**BETWEEN PILES**



**STRUCTURE BACKFILL**



**SECTION A-A**

1/2" = 1'-0"

**STRUCTURE EXCAVATION**

NO SCALE

NO SCALE

**SOLDIER PILE WALL**

**NOTES:**

- 1. See ROAD PLANS for finish grade.

**LEGEND:**

- STRUCTURE EXCAVATION (SOLDIER PILE WALL)
- STRUCTURE BACKFILL (SOLDIER PILE WALL)
- ROADWAY EXCAVATIONS & EMBANKMENT

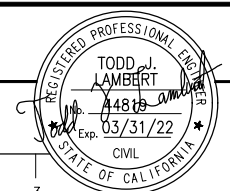
NOTE:  
THE CONTRACTOR MUST VERIFY ALL CONTROLLING  
FIELD DIMENSIONS BEFORE ORDERING OR  
FABRICATING ANY MATERIAL.

Drawing name: H:\381094\_San Benito Measure\Structures\381094\_b-ssf\_11-27.dwg Layout Tab: EXB1 Jun 09 2020 1:06pm gimbsen

Submitted by: J. CONKLIN Design Engineer C.E. No. 53183		NO.	DATE	REVISION DESCRIPTION	APPROVED
DESIGN BY: G. ANGEL	CHKD BY: C. PINKERTON	▲			
DRAWN BY: G. IMBSEN	CHKD BY: G. ANGEL	▲			
SPECIFICATIONS WRITTEN BY: T. LAMBERT	CHKD BY: C. PINKERTON	▲			



10680 White Rock Rd., Suite 100  
Rancho Cordova, California 95670

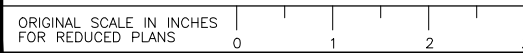


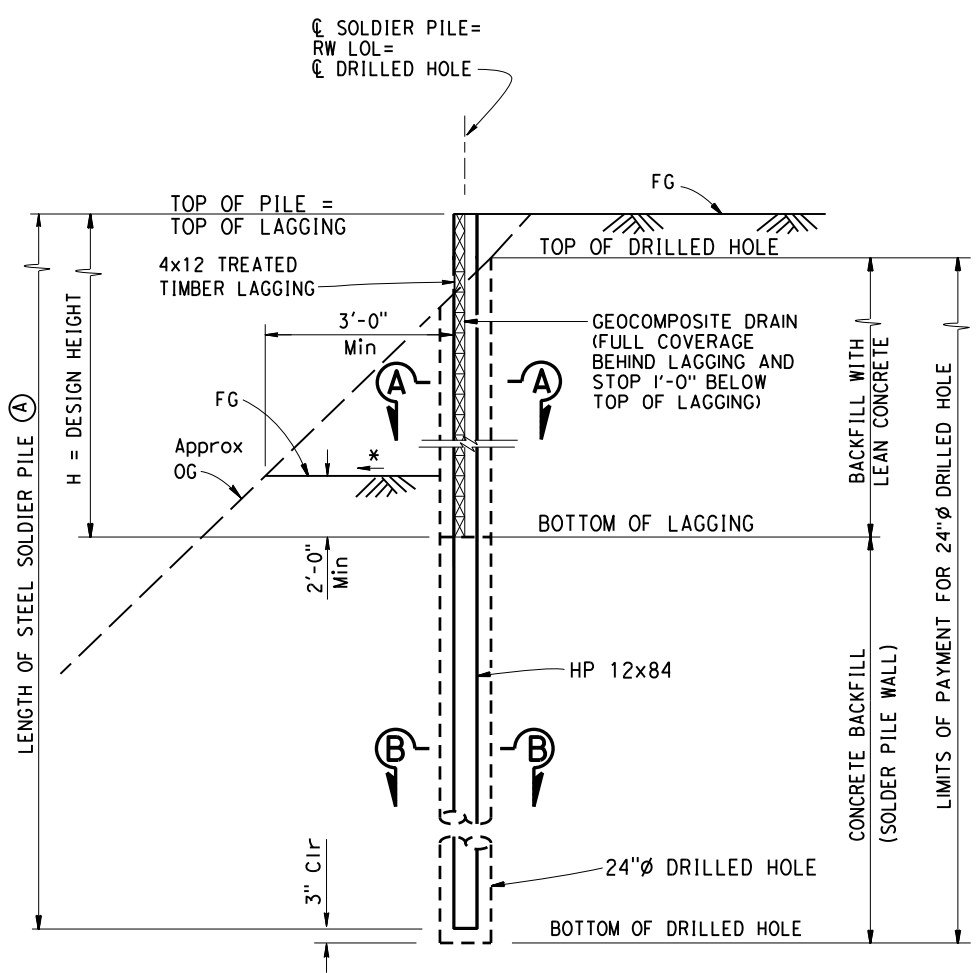
SAN BENITO COUNTY  
2301 TECHNOLOGY PARKWAY,  
HOLLISTER, CA 95023

**MEASURE G - SOUTHSIDE Rd 5000 BLOCK, FY 19-20  
EXCAVATION AND BACKFILL  
DETAILS**

DATE 06-09-20	FILE 381094_b-exbf_11-27.dwg	SHEET S-4
SCALE AS SHOWN	PROJECT NO. XXXX PWB-2013	22 OF 25 SHEETS

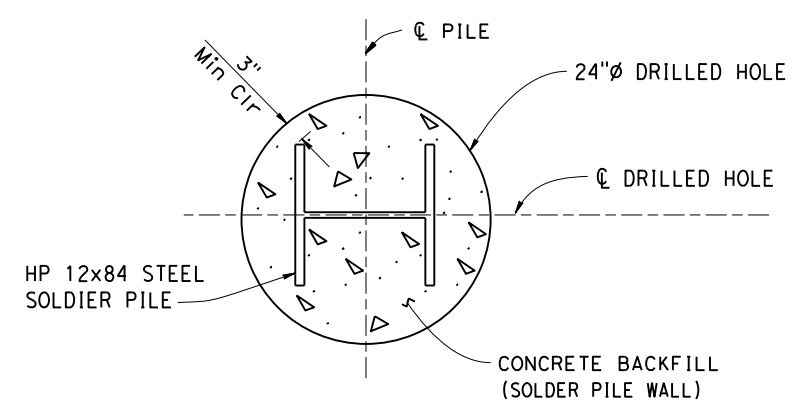
CAUTION: The Engineer preparing these plans will not be responsible for, or liable for, unauthorized changes to or uses of these plans. All changes to the plans must be in writing and must be approved by the preparer of these plans.





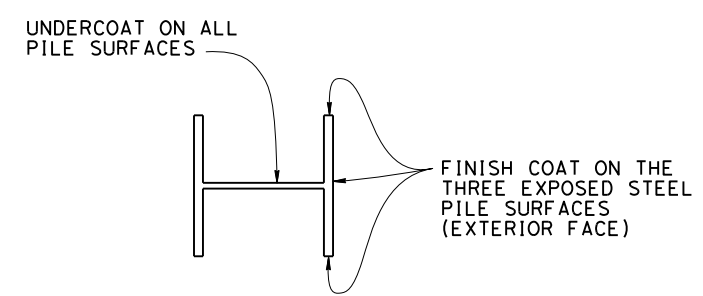
\* SLOPE 2% AWAY FROM WALL TO DRAIN

1 **TYPICAL SECTION**  
NO SCALE

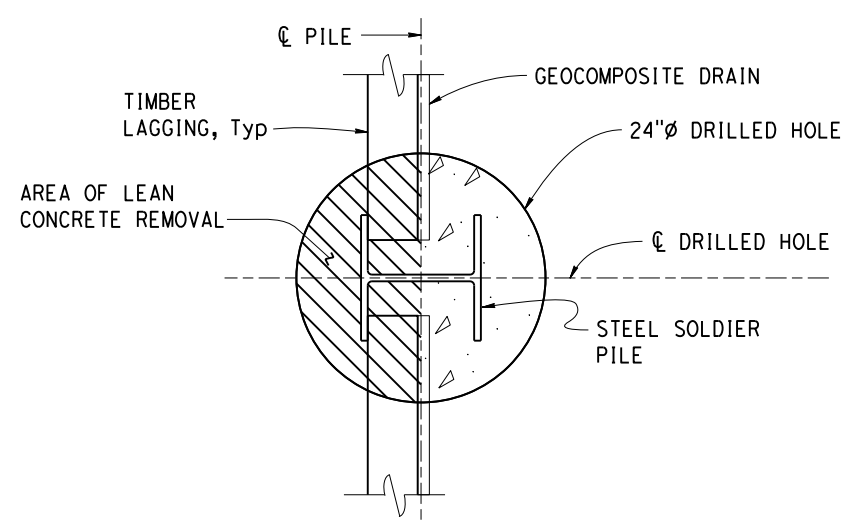


1 **SECTION B-B**  
NO SCALE

NOTE:  
 (A) Clean and paint Steel Soldier Pile from top of pile to 5 feet, Min below bottom of lagging.  
 For lagging details see "SOLDIER PILE WALL LAGGING DETAILS".



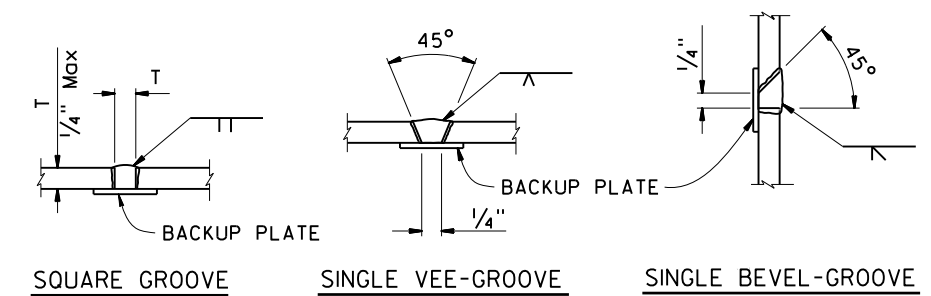
**LIMITS OF CLEAN & PAINT STEEL SOLDIER PILE**  
NO SCALE



1 **SECTION A-A**  
NO SCALE

2 **GENERAL NOTES:**

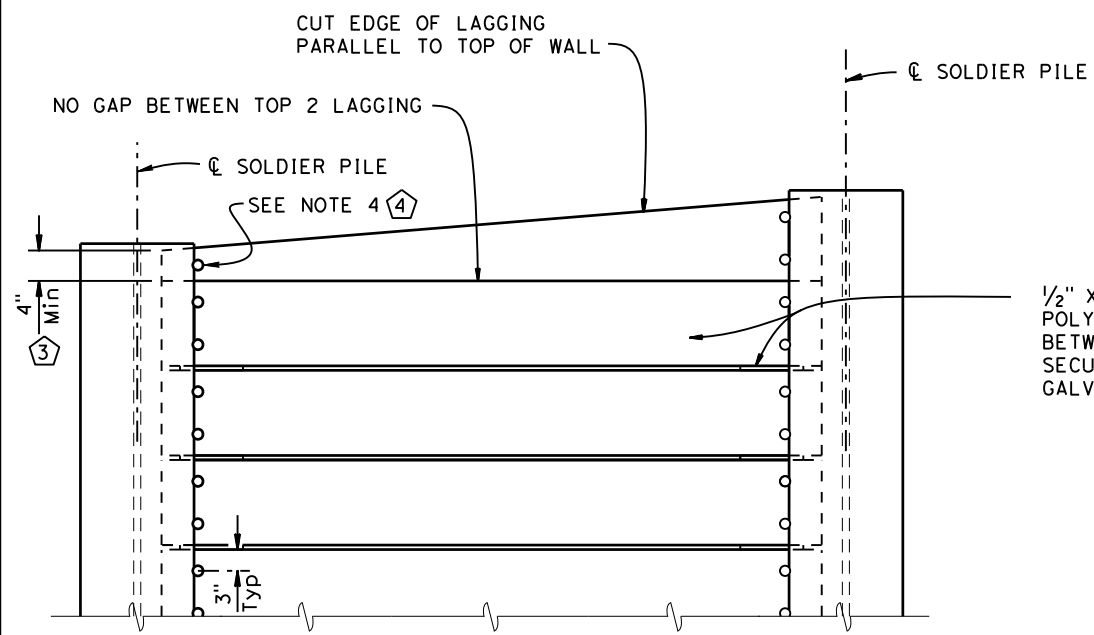
- DESIGN: AASHTO LRFD Bridge Design Specifications, 4th Edition with California Amendments.
- LIVE LOAD: 300 psf
- SOIL PARAMETERS: (For determination of Design Lateral Earth Pressures)  
 Backfill soil weight = 115 lb/ft<sup>3</sup>  
 Friction Angle = 30° C = 0  
 Active Pressure coefficient, K<sub>a</sub> = 0.33  
 Bedrock Unit Weight = 120 lb/ft<sup>3</sup>  
 Active Equivalent Fluid wt = 40 pcf  
 Passive Equivalent Fluid wt = 360 pcf
- SEISMIC PARAMETERS: Seismic Equivalent Fluid wt = 50 psf (rectangular)
- STEEL SOLDIER PILES: F<sub>y</sub> = 50 ksi  
 ASTM A572 Grade 50
- STRUCTURAL TIMBER: Treated Douglas Fir, Grade No. 1 or better  
 Timber to be full sawn.



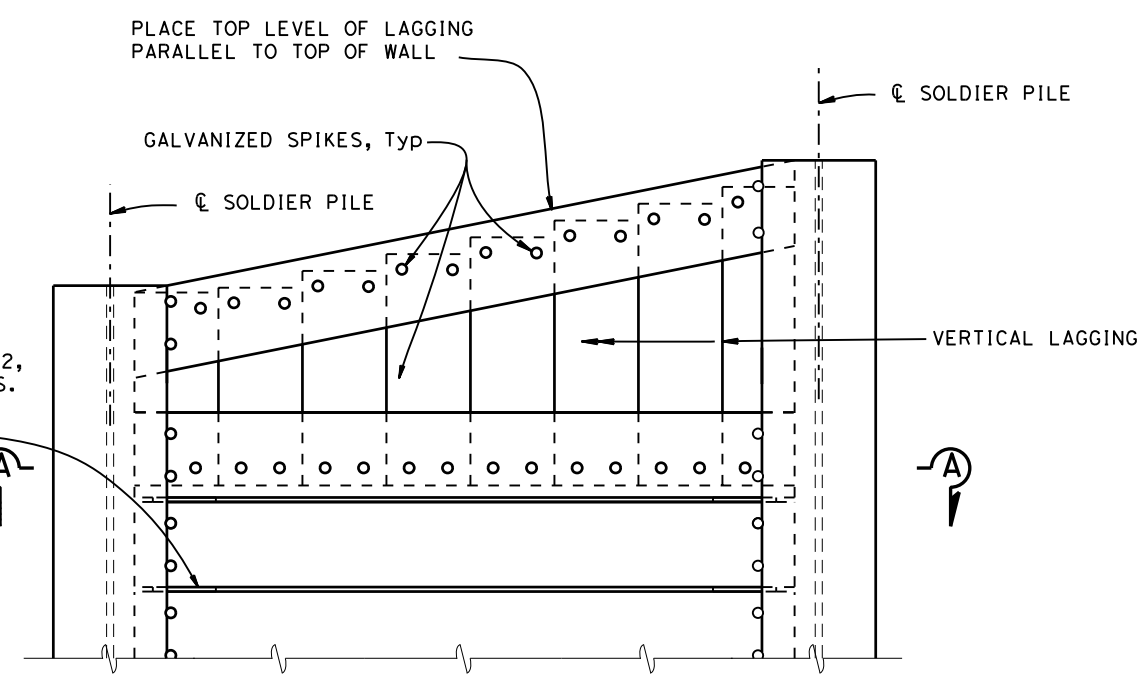
**PILE WELDING DETAIL-BUTT JOINTS**  
NO SCALE

- NOTES:
1. Single vee-groove and square groove permitted for all positions.
  2. Single bevel-groove permitted for horizontal joints only.

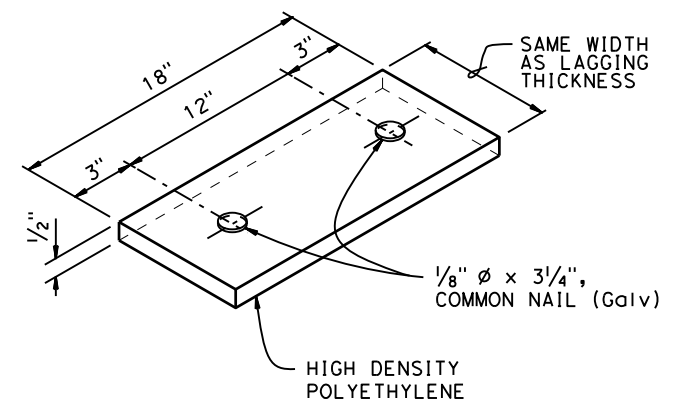
<b>REVISED BRIDGE STANDARD DETAILS</b> xs12-050 FILE NO.			<b>MODIFICATIONS SHOWN:</b> 1 DETAILS MODIFIED 2 NOTES REVISED			STATE OF CALIFORNIA DEPARTMENT OF TRANSPORTATION			BRIDGE NO. POST MILE			MEASURE G-SOUTHSIDE Rd 5000 BLOCK, FY 19-20 CANTILEVER SOLDIER PILE WALL DETAILS		
October 2014 APPROVAL DATE			The components of the Bridge Standard Details have been prepared under the responsible charge of the Technical Owner, a registered civil engineer in the State of California.			ORIGINAL SCALE IN INCHES FOR REDUCED PLANS			UNIT: PROJECT NUMBER & PHASE: PWB-2013			CONTRACT NO.:		
Refer to: <a href="http://www.dot.ca.gov/hq/esc/techpubs/manual/bridgemanuals/bridge-standard-detail-sheets/index.html">http://www.dot.ca.gov/hq/esc/techpubs/manual/bridgemanuals/bridge-standard-detail-sheets/index.html</a>			FILE => 201410-xs12-050 (1).dgn DATE PLOTTED => 6/9/2020			0 1 2 3			DISREGARD PRINTS BEARING EARLIER REVISION DATES			REVISION DATES 6-24-14 8-18-14 7-12-16		
												SHEET OF 23 25		



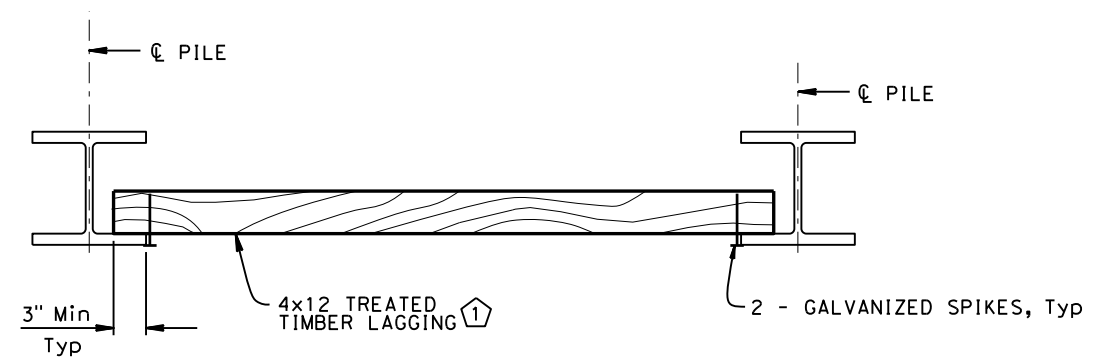
**PART ELEVATION**  
**LAGGING DETAILS (ALTERNATIVE 1)**  
 NO SCALE



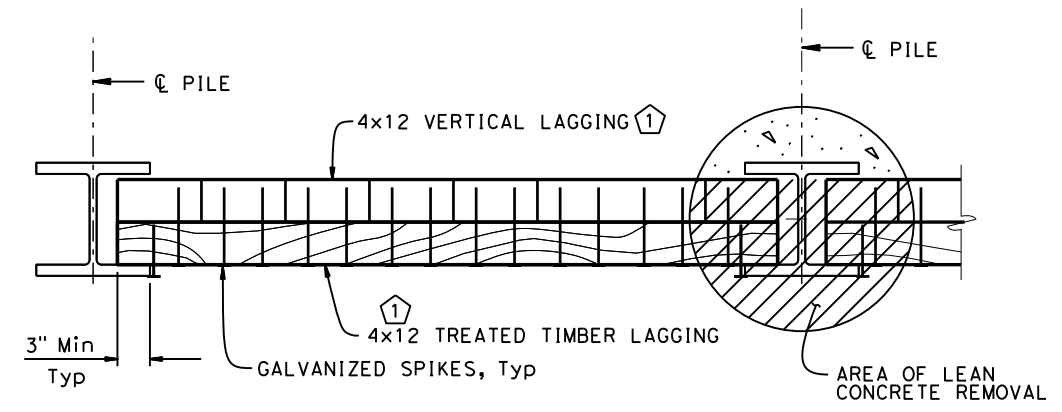
**PART ELEVATION**  
**LAGGING DETAILS (ALTERNATIVE 2)**  
 NO SCALE



**SHIM DETAIL**  
 NO SCALE



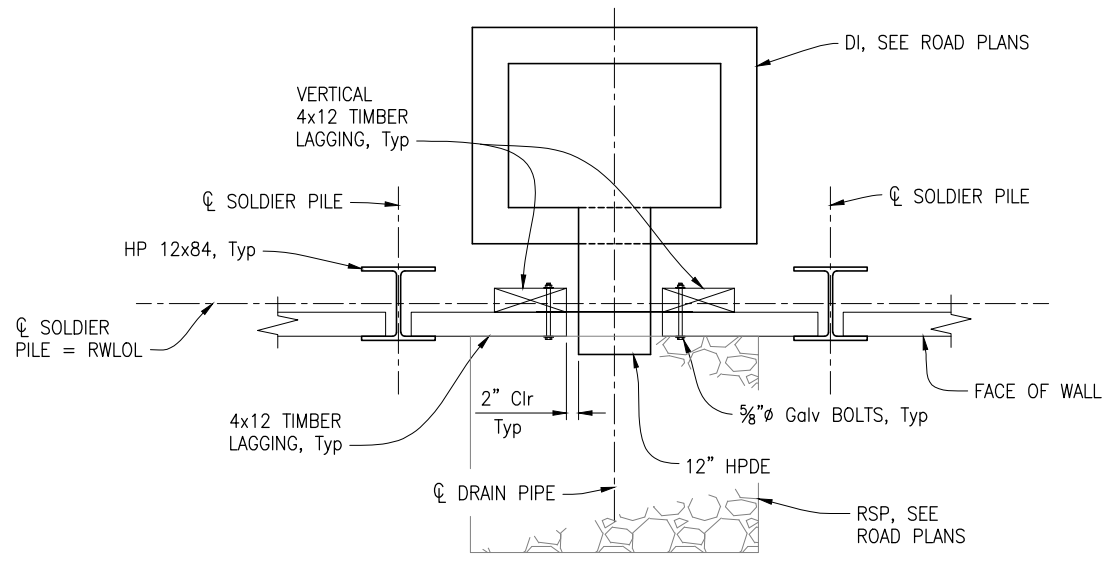
**PART PLAN**  
 NO SCALE



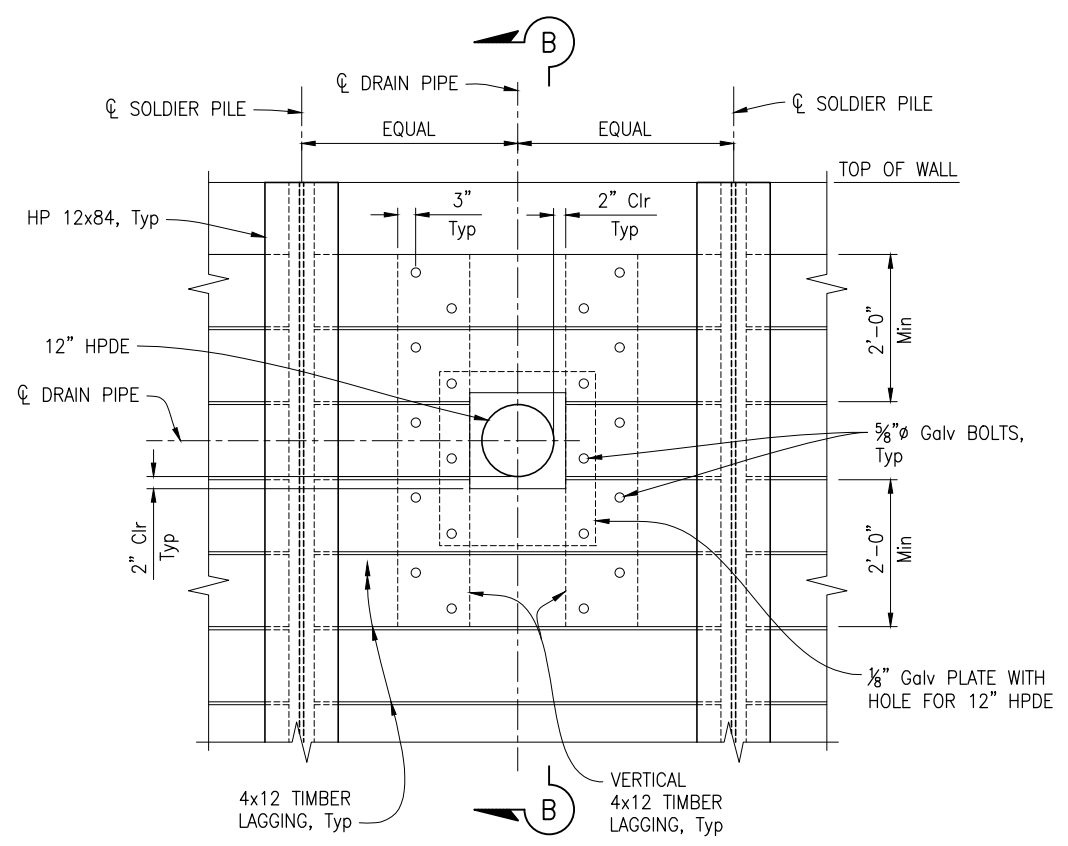
**SECTION A-A**  
 NO SCALE

- NOTES:
1. No clipping of timber lagging corners allowed.
  2. Use 16d Galv wire spikes for 4 x 12 lagging.
  3. Spikes shall not be bent.
  4. Center spike when lagging is less than 6 inches.

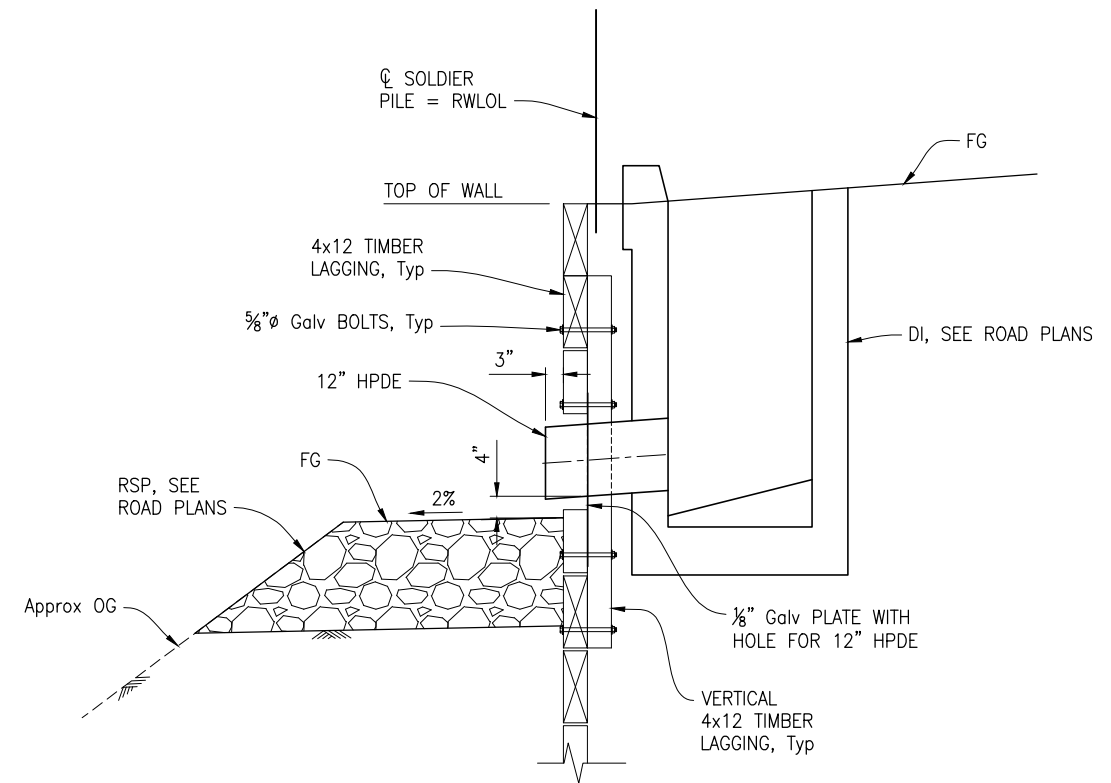
<b>REVISED BRIDGE STANDARD DETAILS</b> FILE NO. <b>xs12-080</b> APPROVAL DATE July 2014 <small>The components of the Bridge Standard Details have been prepared under the responsible charge of the Technical Owner, a registered civil engineer in the State of California.</small>			<b>MODIFICATIONS SHOWN:</b> 1 CALLOUT REVISED 3 DIMENSION ADDED 2 NOTE REVISED 4 CALLOUT & NOTE ADDED			<b>STATE OF CALIFORNIA</b> DEPARTMENT OF TRANSPORTATION		<b>DIVISION OF ENGINEERING SERVICES</b>		BRIDGE NO. MEASURE G-SOUTHSIDE Rd 5000 BLOCK, FY 19-20 POST MILE <b>SOLDIER PILE WALL LAGGING DETAILS</b>	
<small>Refer to: <a href="https://www.dot.ca.gov/hq/esc/techpubs/manual/bridgemanuals/bridge-standard-detail-sheets/index.html">https://www.dot.ca.gov/hq/esc/techpubs/manual/bridgemanuals/bridge-standard-detail-sheets/index.html</a></small>			<small>FILE =&gt; 201407-xs12-080 (1).dgn DATE PLOTTED =&gt; 6/9/2020</small>			ORIGINAL SCALE IN INCHES FOR REDUCED PLANS 0 1 2 3		UNIT: PROJECT NUMBER & PHASE: PWB-2013 CONTRACT NO.:		DISREGARD PRINTS BEARING EARLIER REVISION DATES REVISION DATES: 6-24-14 7-12-16 SHEET 24 OF 25	



**PLAN**  
3/4"=1'-0"



**ELEVATION**  
3/4"=1'-0"

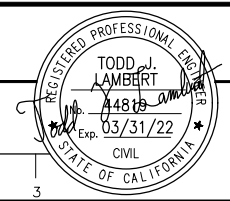


**SECTION B-B**  
3/4"=1'-0"

NOTE:  
THE CONTRACTOR MUST VERIFY ALL CONTROLLING  
FIELD DIMENSIONS BEFORE ORDERING OR  
FABRICATING ANY MATERIAL.

Submitted by: J. CONKLIN Design Engineer C.E. No. 53183		NO.	DATE	REVISION DESCRIPTION	APPROVED
DESIGN BY: G. ANGEL	CHKD BY: C. PINKERTON	▲			
DRAWN BY: G. IMBSEN	CHKD BY: G. ANGEL	▲			
SPECIFICATIONS WRITTEN BY: T. LAMBERT	CHKD BY: C. PINKERTON	▲			

**TRC**  
10680 White Rock Rd., Suite 100  
Rancho Cordova, California 95670



SAN BENITO COUNTY  
2301 TECHNOLOGY PARKWAY,  
HOLLISTER, CA 95023

**MEASURE G - SOUTHSIDE Rd 5000 BLOCK, FY 19-20  
DRAIN PIPE BLOCKOUT  
DETAILS**

DATE 06-09-20	FILE 381094_c-md1_11-27.dwg	SHEET S-7
SCALE AS SHOWN	PROJECT NO. PWB-2013	25 OF 25 SHEETS

Drawing name: H:\381094\_San Benito Measure G\Structures\381094\_c-md1\_11-27.dwg Layout Tab: W=60 Jun 09/2020 - 1:12pm gimbisen

CAUTION: The Engineer preparing these plans will not be responsible for, or liable for, unauthorized changes to or uses of these plans. All changes to the plans must be in writing and must be approved by the preparer of these plans.