

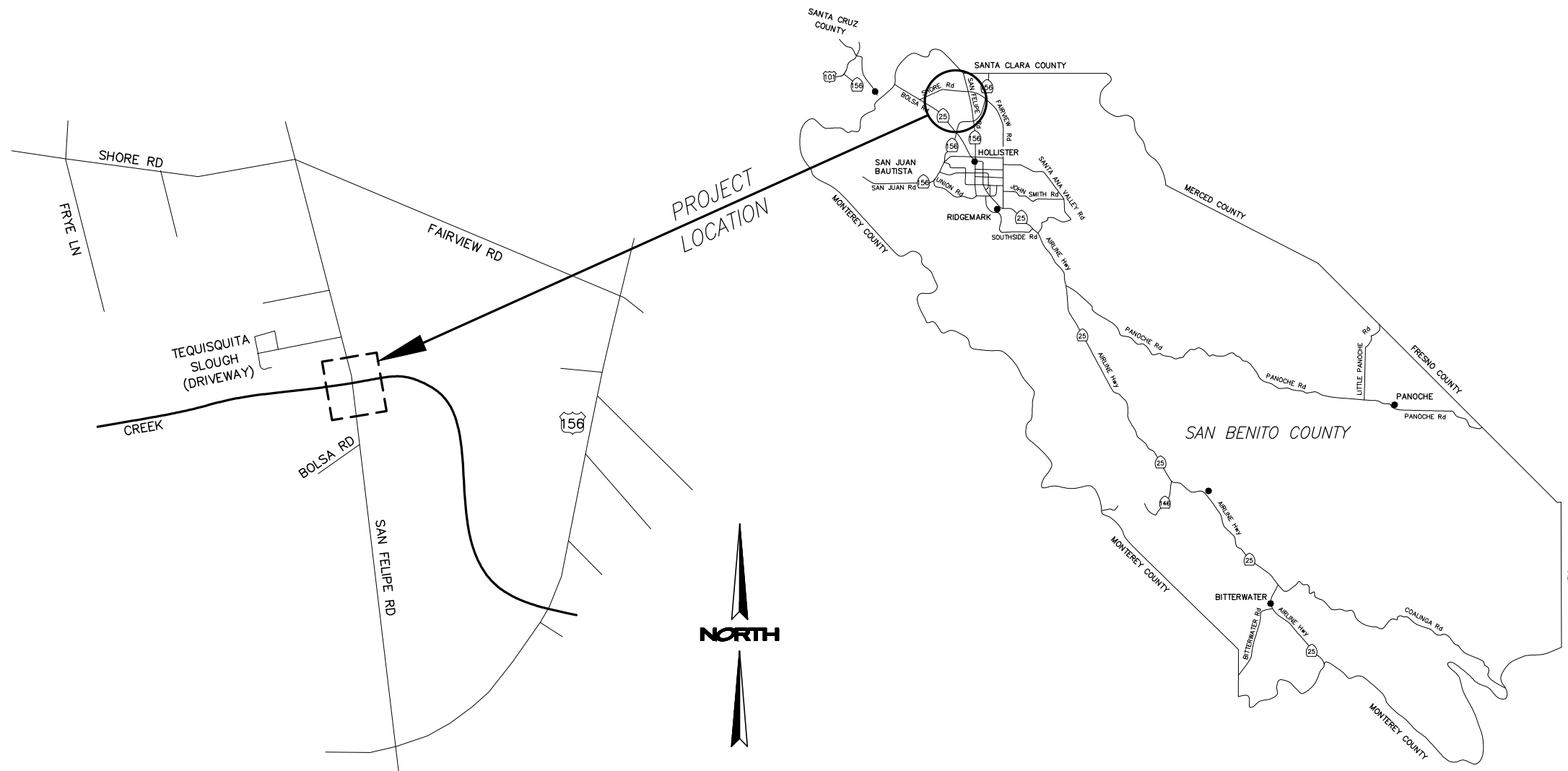
SAN BENITO COUNTY
 PLANS FOR THE RECONSTRUCTION OF
TESQUISQUITO SLOUGH BRIDGE
ON SAN FELIPE ROAD
 COUNTY PROJECT No. PWB-1805

INDEX OF SHEETS		
SHEET NUMBER	SHEET TITLE	DRAWING NUMBER
1	TITLE SHEET	T-1
2	PLAN AND SHOULDER TYPICAL SECTION	C-1
3	CONSTRUCTION AREA SIGNS	CS-1



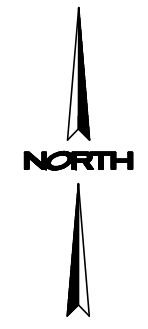
STATE OF CALIFORNIA

COUNTY OF SAN BENITO



PROJECT LOCATION

NOT TO SCALE



SAN BENITO COUNTY

NOT TO SCALE

RESOURCE MANAGEMENT AGENCY DIRECTOR _____ DATE _____

PUBLIC WORKS DEPARTMENT COUNTY ENGINEER _____ DATE _____

JACK WALKER, PE
 RPE 45003
 NV5, INC. _____ DATE _____

DATE: 5/24/18 TIME: 10:33:40 AM
 SERVER: NONE LAYOUT: TITLE
 PATH: T-1
 DRAWING NAME: T-1.DWG
 PAGE SETUP: _____
 DESIGNER: JW PROJ. MGR: JW

NO.	BY	DATE	REVISIONS:



2025 GATEWAY PLACE, SUITE 166
 408.382.7200 TEL. 408.382.0101 FAX

SAN JOSE, CA 95110
 WWW.NV5.COM

TESQUISQUITO SLOUGH BRIDGE

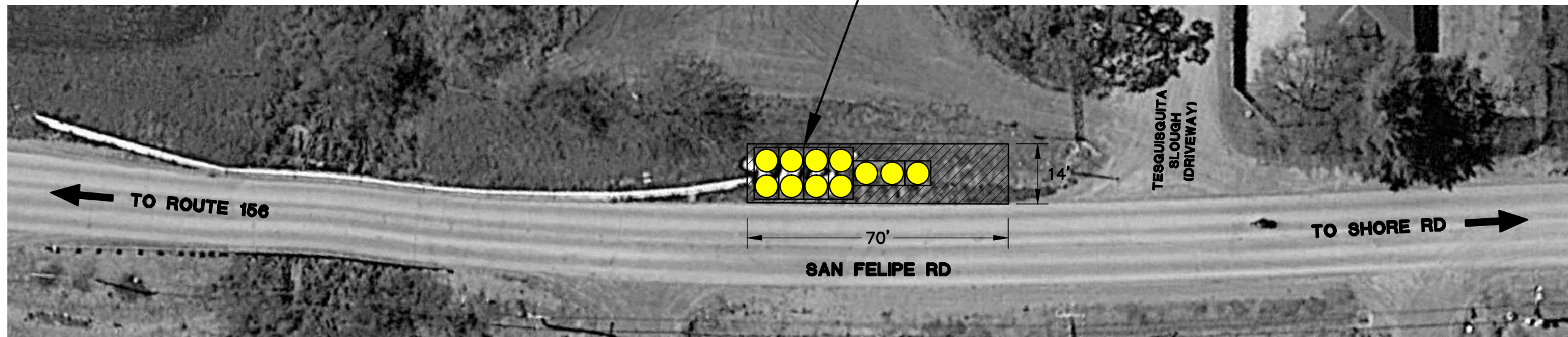
TITLE SHEET

PREPARED FOR: SAN BENITO COUNTY

DATE SUBMITTED: XXX XXXX

SHEET NUMBER
T-1
 1 OF 3 SHEETS
 SCALE
 AS SHOWN
 JOB NUMBER
220217-0000075.01

CAUTION: The engineer preparing these plans will not be responsible for, or liable for, unauthorized changes to or uses of these plans. All changes to the plans must be in writing and must be approved by the preparer of these plans.

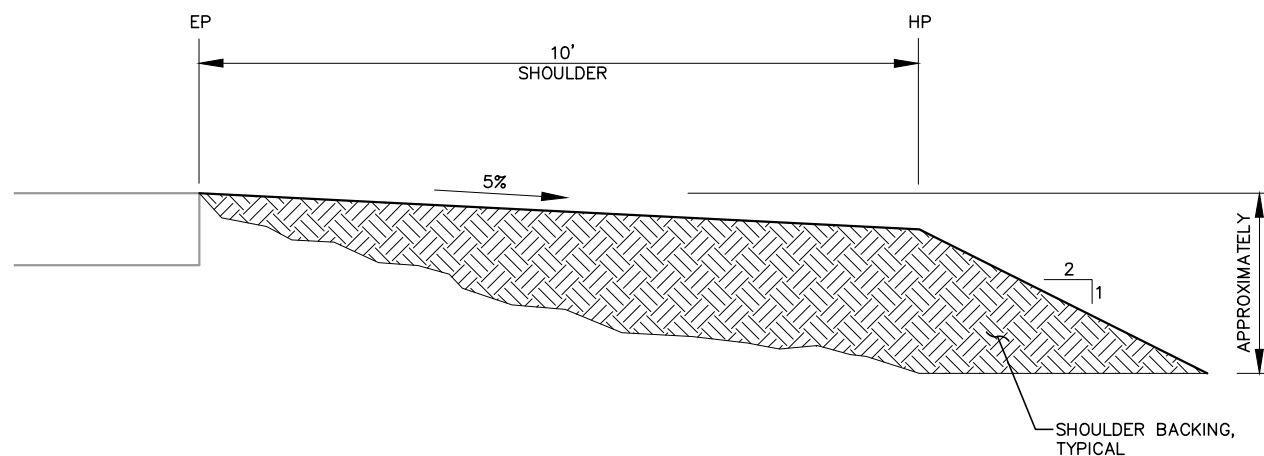


PLAN
NOT TO SCALE

LEGEND



SHOULDER BACKING AREA



**SOUTHBOUND APPROACH TO TESQUISQUITO SLOUGH BRIDGE
SHOULDER TYPICAL SECTION**

NOT TO SCALE

NOTE

1. ALL WORK SHALL BE IN ACCORDANCE WITH THE 2015 EDITION OF STANDARD SPECIFICATIONS, STATE OF CALIFORNIA, DEPARTMENT OF TRANSPORTATION, REFERRED TO AS "STANDARD SPECIFICATIONS".

DATE: 5/24/18 TIME: 10:15:36 AM
 SERVER: NONE LAYOUT:
 PATH: C-1
 DRAWING NAME: C-1.DWG
 PAGE SETUP:
 DESIGNER: JW PROJ. MGR: JW

NO.	BY	DATE	REVISIONS:



2025 GATEWAY PLACE, SUITE 166
 408.392.7200 TEL 408.392.0101 FAX

SAN JOSE, CA 95110
 WWW.NV5.COM

TESQUISQUITO SLOUGH BRIDGE

PLAN AND SHOULDER TYPICAL SECTION

PREPARED FOR: SAN BENITO COUNTY

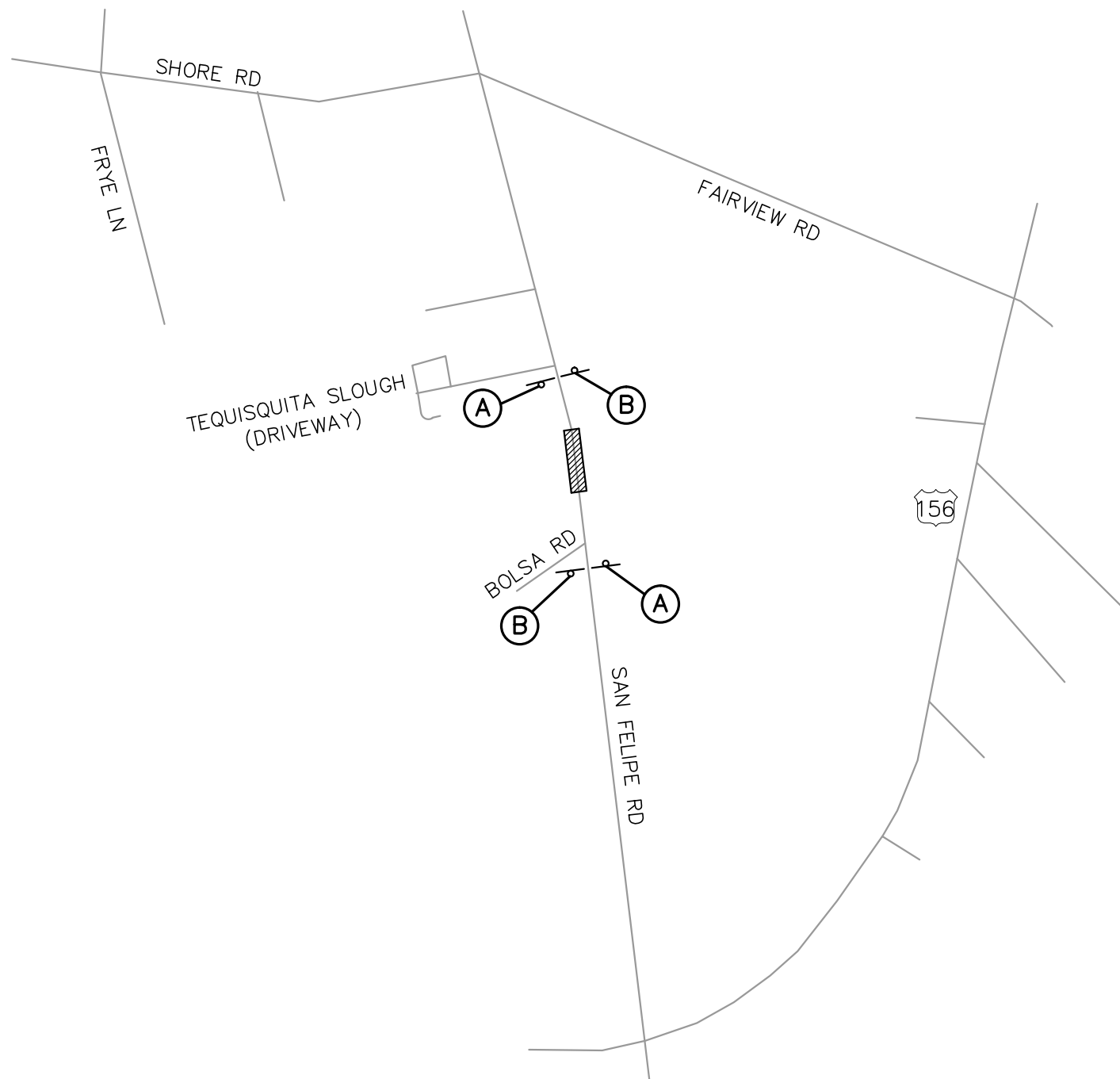
DATE SUBMITTED: XXX XXXX

SHEET NUMBER
C-1
 2 OF 3 SHEETS
 SCALE
 AS SHOWN
 JOB NUMBER
 220217-000075.01

MONTESS

STATIONARY MOUNTED CONSTRUCTION AREA SIGNS

SIGN NO.	SIGN CODE (FEDERAL)	SIGN CODE (CALIFORNIA)	PANEL SIZE	NO. OF POST AND SIZE	SIGN MESSAGE	NO. OF SIGNS
(A)	W20-1	C23	48"x48"	1 - 4"x6"	ROAD WORK AHEAD	2
(B)	G20-2	C14	36"x18"	1 - 4"x4"	END ROAD WORK	2



DATE: 5/24/18 TIME: 9:58:09 AM
 SERVER: NONE LAYOUT: TITLE
 PATH: CS-1
 DRAWING NAME: CS-1
 PAGE SETUP: ---
 DESIGNER: JRW PROJ. MGR: JRW

NO.	BY	DATE	REVISIONS:



2025 GATEWAY PLACE, SUITE 166 SAN JOSE, CA 95110
 408.392.7200 TEL. 408.392.0101 FAX WWW.NV5.COM

TESQUISQUITO SLOUGH BRIDGE

CONSTRUCTION AREA SIGNS SHEET

PREPARED FOR: SAN BENITO COUNTY DATE SUBMITTED: XXX XXXX

SHEET NUMBER
CS-1
 3 OF 3 SHEETS
 SCALE
 AS SHOWN
 JOB NUMBER
 220217-0000075.01

MONITOR